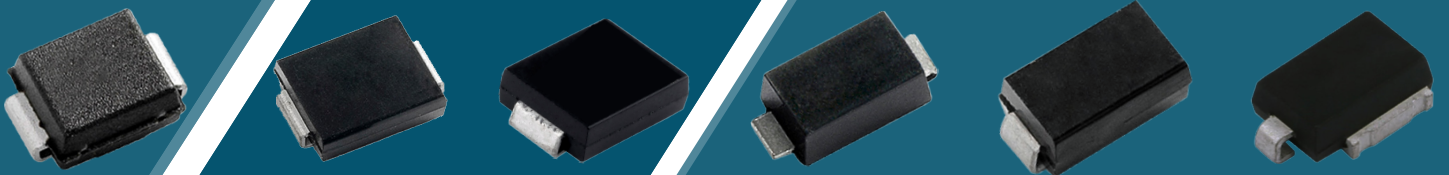


TVS
Transient Voltage Suppressors
Catalog 2024



CATALOGUE

Semiwell Microelectronics Co.,Ltd.

Building 1, No.9222 ChuanNanfeng
Road, Fengxian, Shanghai

Telephone:

86-21-5484-1001

Email:

Sales@semiwell.com.cn



For more product information,
Please scan the QR code

SMF	P1-3
SMAF	P4-6
6SMAF	P7-8
SMAJ	P9-11
SMA6J	P12-14
SMBJ	P15-17
P6SMB	P18-20
SMB10J	P21-23
SMB15J	P24-25
SMCJ	P26-28
1.5SMC	P29-31
SMDJ	P32-34
5.0SMDJ	P35-37
8.0SMDJ	P38-39
P4KE	P40-42
SA	P42-44
P6KE	P45-47
1.5KE	P48-50
3KP	P51-53
5KP	P54-56
15KPA	P57-59
20KPA	P60-62
AK10	P63-64
AKM06	P65
AKM10	P66
TPSMF	P67-68
TPSMF4L	P69-71
TPSMAJ	P72-74
TPSMBJ	P75-77
TPSMCJ	P78-80
TPSMDJ	P81-82
TP5.0SMDJ	P83-84
SM8SXXA	P85-86
SM8SXXCA	P87-88
SMD5S	P89-90
SMD6S	P91-92
SMD8S	P93-94

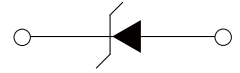
To find your local partner within Semiware's global network: www.semiware.com

© 2022 Semiware Semiconductor Inc.

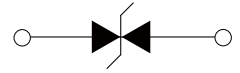
The content of this document has been carefully checked and understood. However, neither Semiwell nor its subsidiaries assume any liability whatsoever for any errors or inaccuracies of this document and the consequences thereof. Published specifications are subject to change without notice. Product suitability for any area of application must ultimately be determined by the customer. In all cases, products must never be operated outside their published specifications. Semiwell does not guarantee the availability of all published products. This disclaimer shall be governed by substantive Swiss law and resulting disputes shall be settled by the courts at the place of business of Semiwell. Latest publications and a complete disclaimer can be downloaded from the Semiware website. All trademarks recognized.

FEATURES

- | Low profile package
- | Ideal for automated placement
- | 200 Watt peak pulse power capability with a 10/1000 μ s waveform
- | For surface mounted applications to optimize board space
- | Excellent clamping capability
- | Very fast response time
- | Low incremental surge resistance

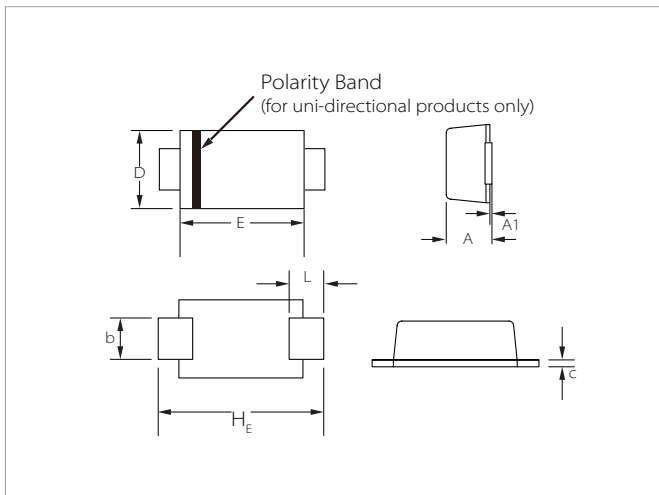


Uni-directional



Bi-directional

SOD-123FL PACKAGE INFORMATION



Ref.	Millimeters		Inches	
	Min.	Max.	Min.	Max.
A	0.95	1.45	0.037	0.057
A1	0.00	0.10	0.000	0.004
b	0.70	1.20	0.028	0.047
c	0.05	0.30	0.002	0.012
D	1.50	2.00	0.059	0.079
E	2.50	2.90	0.098	0.114
L	0.35	0.90	0.014	0.035
H _E	3.40	3.90	0.134	0.154

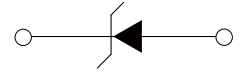
Part Number		Device Marking Code		Reverse Stand-off Voltage	Breakdown Voltage Min.@I _T	Breakdown Voltage Max.@I _T	Test Current	Maximum Clamping Voltage @I _{PP}	Peak Pulse Current	Reverse Leakage @V _{RWM}
Uni-Polar	Bi-Polar	Uni	Bi	V _{RWM} (V)	V _{BR} (V)	V _{BR} (V)	I _T (mA)	V _C (V)	I _{PP} (A)	I _R (uA)
SMF3.3A	SMF3.3CA	HZ	GZ	3.3	5.2	6.00	10	8.0	25.0	800
SMF5.0A	SMF5.0CA	AE	FE	5.0	6.4	7.00	10	9.2	21.7	800
SMF6.0A	SMF6.0CA	AG	FG	6.0	6.67	7.37	10	10.3	19.4	800
SMF6.5A	SMF6.5CA	AK	FK	6.5	7.22	7.98	10	11.2	17.9	500
SMF7.0A	SMF7.0CA	AM	FM	7.0	7.78	8.60	10	12.0	16.7	200
SMF7.5A	SMF7.5CA	AP	FP	7.5	8.33	9.21	1	12.9	15.5	100
SMF8.0A	SMF8.0CA	AR	FR	8.0	8.89	9.83	1	13.6	14.7	50
SMF8.5A	SMF8.5CA	AT	FT	8.5	9.44	10.4	1	14.4	13.9	20
SMF9.0A	SMF9.0CA	AV	FV	9.0	10.0	11.1	1	15.4	13.0	10

Part Number		Device Marking Code		Reverse Stand-off Voltage	Breakdown Voltage Min.@I _T	Breakdown Voltage Max.@I _T	Test Current	Maximum Clamping Voltage @I _{PP}	Peak Pulse Current	Reverse Leakage @V _{RWM}
Uni-Polar	Bi-Polar	Uni	Bi	V _{RWM} (V)	V _{BR} (V)	V _{BR} (V)	I _T (mA)	V _C (V)	I _{PP} (A)	I _R (uA)
SMF10A	SMF10CA	AX	FX	10.0	11.1	12.3	1	17.0	11.8	5
SMF11A	SMF11CA	AZ	FZ	11.0	12.2	13.5	1	18.2	11.0	1
SMF12A	SMF12CA	BE	GE	12.0	13.3	14.7	1	19.9	10.1	1
SMF13A	SMF13CA	BG	GG	13.0	14.4	15.9	1	21.5	9.3	1
SMF14A	SMF14CA	BK	GK	14.0	15.6	17.2	1	23.2	8.6	1
SMF15A	SMF15CA	BM	GM	15.0	16.7	18.5	1	24.4	8.2	1
SMF16A	SMF16CA	BP	GP	16.0	17.8	19.7	1	26.0	7.7	1
SMF17A	SMF17CA	BR	GR	17.0	18.9	20.9	1	27.6	7.2	1
SMF18A	SMF18CA	BT	GT	18.0	20.0	22.1	1	29.2	6.8	1
SMF20A	SMF20CA	BV	GV	20.0	22.2	24.5	1	32.4	6.2	1
SMF22A	SMF22CA	BX	GX	22.0	24.4	26.9	1	35.5	5.6	1
SMF24A	SMF24CA	BZ	GZ	24.0	26.7	29.5	1	38.9	5.1	1
SMF26A	SMF26CA	CE	HE	26.0	28.9	31.9	1	42.1	4.8	1
SMF28A	SMF28CA	CG	HG	28.0	31.1	34.4	1	45.4	4.4	1
SMF30A	SMF30CA	CK	HK	30.0	33.3	36.8	1	48.4	4.1	1
SMF33A	SMF33CA	CM	HM	33.0	36.7	40.6	1	53.3	3.8	1
SMF36A	SMF36CA	CP	HP	36.0	40.0	44.2	1	58.1	3.4	1
SMF40A	SMF40CA	CR	HR	40.0	44.4	49.1	1	64.5	3.1	1
SMF43A	SMF43CA	CT	HT	43.0	47.8	52.8	1	69.4	2.9	1
SMF45A	SMF45CA	CV	HV	45.0	50.0	55.3	1	72.7	2.8	1
SMF48A	SMF48CA	CX	HX	48.0	53.3	58.9	1	77.4	2.6	1
SMF51A	SMF51CA	CZ	HZ	51.0	56.7	62.7	1	82.4	2.4	1
SMF54A	SMF54CA	DE	IE	54.0	60.0	66.3	1	87.1	2.3	1
SMF58A	SMF58CA	DG	IG	58.0	64.4	71.2	1	93.6	2.1	1
SMF60A	SMF60CA	DK	IK	60.0	66.7	73.7	1	96.8	1.86	1
SMF64A	SMF64CA	DM	IM	64.0	71.1	78.6	1	103.0	1.75	1
SMF70A	SMF70CA	DP	IP	70.0	77.8	86.0	1	113.0	1.59	1
SMF75A	SMF75CA	DR	IR	75.0	83.3	92.1	1	121.0	1.49	1
SMF78A	SMF78CA	DT	IT	78.0	86.7	95.8	1	126.0	1.43	1
SMF85A	SMF85CA	DV	IV	85.0	94.4	104.0	1	137.0	1.31	1
SMF90A	SMF90CA	DX	IX	90.0	100.0	111.0	1	146.0	1.23	1
SMF100A	SMF100CA	EZ	JZ	100.0	111.0	123.0	1	162.0	1.11	1
SMF110A	SMF110CA	EE	JE	110.0	122.0	135.0	1	177.0	1.02	1
SMF120A	SMF120CA	EG	JG	120.0	133.0	147.0	1	193.0	0.93	1

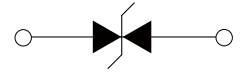
Part Number		Device Marking Code		Reverse Stand-off Voltage	Breakdown Voltage Min.@I _T	Breakdown Voltage Max.@I _T	Test Current	Maximum Clamping Voltage @I _{PP}	Peak Pulse Current	Reverse Leakage @V _{RWM}
Uni-Polar	Bi-Polar	Uni	Bi	V _{RWM} (V)	V _{BR} (V)	V _{BR} (V)	I _T (mA)	V _C (V)	I _{PP} (A)	I _R (uA)
SMF130A	SMF130CA	EK	JK	130.0	144.0	159.0	1	209.0	0.86	1
SMF150A	SMF150CA	EM	JM	150.0	167.0	185.0	1	243.0	0.74	1
SMF160A	SMF160CA	EP	JP	160.0	178.0	197.0	1	259.0	0.69	1
SMF170A	SMF170CA	ER	JR	170.0	189.0	209.0	1	275.0	0.65	1
SMF180A	SMF180CA	ET	JT	180.0	201.0	222.0	1	292.0	0.66	1
SMF190A	SMF190CA	EU	JU	190.0	209.0	243.0	1	308.0	0.63	1
SMF200A	SMF200CA	EV	JV	200.0	224.0	247.0	1	324.0	0.59	1
SMF210A	SMF210CA	EW	JW	210.0	231.0	269.0	1	340.0	0.57	1
SMF220A	SMF220CA	EY	JY	220.0	246.0	272.0	1	356.0	0.54	1

FEATURES

- | Low profile package
- | Ideal for automated placement
- | 400 Watt peak pulse power capability with a 10/1000 μ s waveform
- | For surface mounted applications to optimize board space
- | Excellent clamping capability
- | Very fast response time
- | Low incremental surge resistance

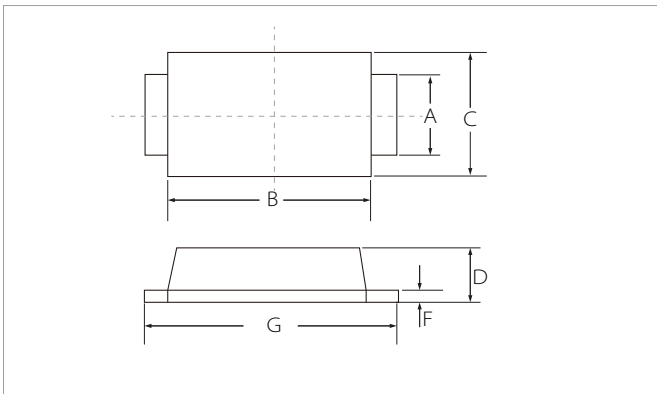


Uni-directional



Bi-directional

SMAF PACKAGE INFORMATION



Ref.	Millimeters		Inches	
	Min	Max	Min	Max
A	1.35	1.45	0.053	0.057
B	3.40	3.80	0.134	0.145
C	2.40	2.80	0.094	0.110
D	0.95	1.45	0.037	0.057
F	0.15	0.22	0.006	0.009
G	4.40	4.80	0.173	0.189

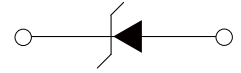
Part Number		Device Marking Code		Reverse Stand-off Voltage	Breakdown Voltage Min.@I _r	Breakdown Voltage Max.@I _r	Test Current	Maximum Clamping Voltage @I _{pp}	Maximum Peak Pulse Current	Maximum Reverse Leakage @V _{RWM}
Unidirectional	Bidirectional	UNI	BI	V _{RWM} (V)	V _{BR} (V)	V _{BR} (V)	I _r (mA)	V _c (V)	I _{pp} (A)	I _r (μ A)
SMAF5.0A	SMAF5.0CA	AE	WE	5.0	6.40	7.00	10	9.2	43.5	800
SMAF6.0A	SMAF6.0CA	AG	WG	6.0	6.67	7.37	10	10.3	38.8	800
SMAF6.5A	SMAF6.5CA	AK	WK	6.5	7.22	7.98	10	11.2	35.7	500
SMAF7.0A	SMAF7.0CA	AM	WM	7.0	7.78	8.60	10	12.0	33.3	200
SMAF7.5A	SMAF7.5CA	AP	WP	7.5	8.33	9.21	1	12.9	31.0	100
SMAF8.0A	SMAF8.0CA	AR	WR	8.0	8.89	9.83	1	13.6	29.4	50
SMAF8.5A	SMAF8.5CA	AT	WT	8.5	9.44	10.40	1	14.4	27.8	20
SMAF9.0A	SMAF9.0CA	AV	WV	9.0	10.00	11.10	1	15.4	26.0	10
SMAF10A	SMAF10CA	AX	WX	10.0	11.10	12.30	1	17.0	23.5	5
SMAF11A	SMAF11CA	AZ	WZ	11.0	12.20	13.50	1	18.2	22.0	1
SMAF12A	SMAF12CA	BE	XE	12.0	13.30	14.70	1	19.9	20.1	1

Part Number		Device Marking Code		Reverse Stand-off Voltage	Breakdown Voltage Min.@I _T	Breakdown Voltage Max.@I _T	Test Current	Maximum Clamping Voltage @I _{PP}	Maximum Peak Pulse Current	Maximum Reverse Leakage @V _{RWM}
Unidirectional	Bidirectional	UNI	BI	V _{RWM} (V)	V _{BR} (V)	V _{BR} (V)	I _T (mA)	V _C (V)	I _{PP} (A)	I _R (uA)
SMAF13A	SMAF13CA	BG	XG	13.0	14.40	15.90	1	21.5	18.6	1
SMAF14A	SMAF14CA	BK	XK	14.0	15.60	17.20	1	23.2	17.2	1
SMAF15A	SMAF15CA	BM	XM	15.0	16.70	18.50	1	24.4	16.4	1
SMAF16A	SMAF16CA	BP	XP	16.0	17.80	19.70	1	26.0	15.4	1
SMAF17A	SMAF17CA	BR	XR	17.0	18.90	20.90	1	27.6	14.5	1
SMAF18A	SMAF18CA	BT	XT	18.0	20.00	22.10	1	29.2	13.7	1
SMAF20A	SMAF20CA	BV	XV	20.0	22.20	24.50	1	32.4	12.3	1
SMAF22A	SMAF22CA	BX	XX	22.0	24.40	26.90	1	35.5	11.3	1
SMAF24A	SMAF24CA	BZ	XZ	24.0	26.70	29.50	1	38.9	10.3	1
SMAF26A	SMAF26CA	CE	YE	26.0	28.90	31.90	1	42.1	9.5	1
SMAF28A	SMAF28CA	CG	YG	28.0	31.10	34.40	1	45.4	8.8	1
SMAF30A	SMAF30CA	CK	YK	30.0	33.30	36.80	1	48.4	8.3	1
SMAF33A	SMAF33CA	CM	YM	33.0	36.70	40.60	1	53.3	7.5	1
SMAF36A	SMAF36CA	CP	YP	36.0	40.00	44.20	1	58.1	6.9	1
SMAF40A	SMAF40CA	CR	YR	40.0	44.40	49.10	1	64.5	6.2	1
SMAF43A	SMAF43CA	CT	YT	43.0	47.80	52.80	1	69.4	5.8	1
SMAF45A	SMAF45CA	CV	YV	45.0	50.00	55.30	1	72.7	5.5	1
SMAF48A	SMAF48CA	CX	YX	48.0	53.30	58.90	1	77.4	5.2	1
SMAF51A	SMAF51CA	CZ	YZ	51.0	56.70	62.70	1	82.4	4.9	1
SMAF54A	SMAF54CA	RE	ZE	54.0	60.00	66.30	1	87.1	4.6	1
SMAF58A	SMAF58CA	RG	ZG	58.0	64.40	71.20	1	93.6	4.3	1
SMAF60A	SMAF60CA	RK	ZK	60.0	66.70	73.70	1	96.8	4.1	1
SMAF64A	SMAF64CA	RM	ZM	64.0	71.10	78.60	1	103.0	3.9	1
SMAF70A	SMAF70CA	RP	ZP	70.0	77.80	86.00	1	113.0	3.5	1
SMAF75A	SMAF75CA	RR	ZR	75.0	83.30	92.10	1	121.0	3.3	1
SMAF78A	SMAF78CA	RT	ZT	78.0	86.70	95.80	1	126.0	3.2	1
SMAF85A	SMAF85CA	RV	ZV	85.0	94.40	104.00	1	137.0	2.9	1
SMAF90A	SMAF90CA	RX	ZX	90.0	100.00	111.00	1	146.0	2.7	1
SMAF100A	SMAF100CA	RZ	ZZ	100.0	111.00	123.00	1	162.0	2.5	1
SMAF110A	SMAF110CA	SE	VE	110.0	122.00	135.00	1	177.0	2.3	1
SMAF120A	SMAF120CA	SG	VG	120.0	133.00	147.00	1	193.0	2.1	1
SMAF130A	SMAF130CA	SK	VK	130.0	144.00	159.00	1	209.0	1.9	1
SMAF150A	SMAF150CA	SM	VM	150.0	167.00	185.00	1	243.0	1.6	1

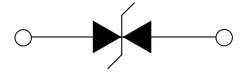
Part Number		Device Marking Code		Reverse Stand-off Voltage	Breakdown Voltage Min.@I _T	Breakdown Voltage Max.@I _T	Test Current	Maximum Clamping Voltage @I _{PP}	Maximum Peak Pulse Current	Maximum Reverse Leakage @V _{RWM}
Unidirectional	Bidirectional	UNI	BI	V _{RWM} (V)	V _{BR} (V)	V _{BR} (V)	I _T (mA)	V _C (V)	I _{PP} (A)	I _R (uA)
SMAF160A	SMAF160CA	SP	VP	160.0	178.00	197.00	1	259.0	1.5	1
SMAF170A	SMAF170CA	SR	VR	170.0	189.00	209.00	1	275.0	1.5	1
SMAF180A	SMAF180CA	ST	VT	180.0	201.00	222.00	1	292.0	1.4	1
SMAF200A	SMAF200CA	SV	VV	200.0	224.00	247.00	1	324.0	1.2	1
SMAF220A	SMAF220CA	SX	VX	220.0	246.00	272.00	1	356.0	1.1	1
SMAF250A	SMAF250CA	SZ	VZ	250.0	279.00	309.00	1	405.0	1.0	1
SMAF300A	SMAF300CA	TE	UE	300.0	335.00	371.00	1	486.0	0.8	1
SMAF350A	SMAF350CA	TG	UG	350.0	391.00	432.00	1	567.0	0.7	1
SMAF400A	SMAF400CA	TK	UK	400.0	447.00	494.00	1	648.0	0.6	1
SMAF440A	SMAF440CA	TM	UM	440.0	492.00	543.00	1	713.0	0.6	1

FEATURES

- | Low profile package
- | Ideal for automated placement
- | 600 Watt peak pulse power capability with a 10/1000 μ s waveform
- | For surface mounted applications to optimize board space
- | Excellent clamping capability
- | Very fast response time
- | Low incremental surge resistance

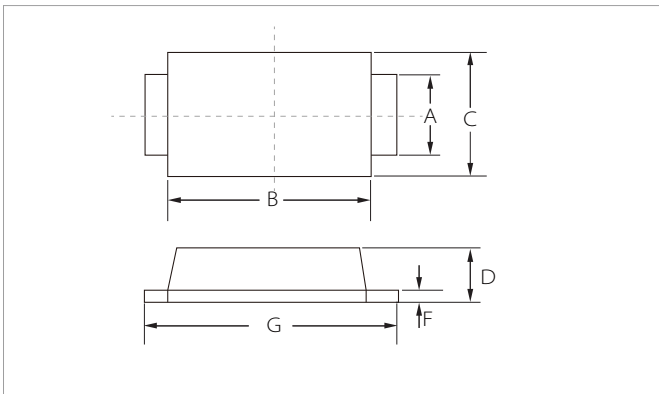


Uni-directional



Bi-directional

SMAF PACKAGE INFORMATION



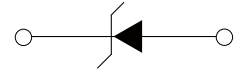
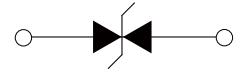
Ref.	Millimeters		Inches	
	Min.	Max.	Min.	Max.
A	1.35	1.45	0.053	0.057
B	3.40	3.80	0.134	0.145
C	2.40	2.80	0.094	0.110
D	0.95	1.45	0.037	0.057
F	0.15	0.22	0.006	0.009
G	4.40	4.80	0.173	0.189

Part Number		Device Marking Code		Reverse Stand-off Voltage	Breakdown Voltage Min.@I _T	Breakdown Voltage Max.@I _T	Test Current	Maximum Clamping Voltage @I _{PP}	Maximum Peak Pulse Current	Maximum Reverse Leakage @V _{RWM}
Unidirectional	Bidirectional	UNI	BI	V _{RWM} (V)	V _{BR} (V)	V _{BR} (V)	I _T (mA)	V _C (V)	I _{PP} (A)	I _R (μ A)
6SMAF5.0A	6SMAF5.0CA	KE	AE	5.0	6.40	7.00	10	9.2	63.5	200
6SMAF6.0A	6SMAF6.0CA	KG	AG	6.0	6.67	7.37	10	10.3	58.3	200
6SMAF6.5A	6SMAF6.5CA	KK	AK	6.5	7.22	7.98	10	11.2	53.6	100
6SMAF7.0A	6SMAF7.0CA	KM	AM	7.0	7.78	8.60	10	12.0	50.0	80
6SMAF7.5A	6SMAF7.5CA	KP	AP	7.5	8.33	9.21	1	12.9	46.6	50
6SMAF8.0A	6SMAF8.0CA	KR	AR	8.0	8.89	9.83	1	13.6	44.2	20
6SMAF8.5A	6SMAF8.5CA	KT	AT	8.5	9.44	10.40	1	14.4	41.7	10
6SMAF9.0A	6SMAF9.0CA	KV	AV	9.0	10.00	11.10	1	15.4	39.0	5
6SMAF10A	6SMAF10CA	KX	KX	10.0	11.10	12.30	1	17.0	35.3	2
6SMAF11A	6SMAF11CA	KZ	AZ	11.0	12.20	13.50	1	18.2	33.0	1
6SMAF12A	6SMAF12CA	LE	BE	12.0	13.30	14.70	1	19.9	30.2	1

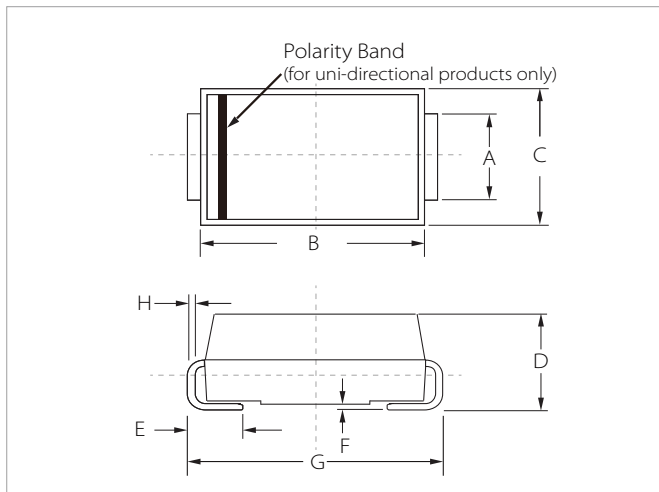
Part Number		Device Marking Code		Reverse Stand-off Voltage	Breakdown Voltage Min.@I _T	Breakdown Voltage Max.@I _T	Test Current	Maximum Clamping Voltage @I _{PP}	Maximum Peak Pulse Current	Maximum Reverse Leakage @V _{RWM}
Unidirectional	Bidirectional	UNI	BI	V _{RWM} (V)	V _{BR} (V)	V _{BR} (V)	I _T (mA)	V _C (V)	I _{PP} (A)	I _R (uA)
6SMAF13A	6SMAF13CA	LG	BG	13.0	14.40	15.90	1	21.5	28.0	1
6SMAF14A	6SMAF14CA	LK	BK	14.0	15.60	17.20	1	23.2	25.9	1
6SMAF15A	6SMAF15CA	LM	BM	15.0	16.70	18.50	1	24.4	24.6	1
6SMAF16A	6SMAF16CA	LP	BP	16.0	17.80	19.70	1	26.0	23.1	1
6SMAF17A	6SMAF17CA	LR	BR	17.0	18.90	20.90	1	27.6	21.8	1
6SMAF18A	6SMAF18CA	LT	BT	18.0	20.00	22.10	1	29.2	20.6	1
6SMAF20A	6SMAF20CA	LV	BV	20.0	22.20	24.50	1	32.4	18.6	1
6SMAF22A	6SMAF22CA	LX	BX	22.0	24.40	26.90	1	35.5	16.9	1
6SMAF24A	6SMAF24CA	LZ	BZ	24.0	26.70	29.50	1	38.9	15.5	1
6SMAF26A	6SMAF26CA	ME	CE	26.0	28.90	31.90	1	42.1	14.3	1
6SMAF28A	6SMAF28CA	MG	CG	28.0	31.10	34.40	1	45.4	13.3	1
6SMAF30A	6SMAF30CA	MK	CK	30.0	33.30	36.80	1	48.4	12.4	1
6SMAF33A	6SMAF33CA	MM	CM	33.0	36.70	40.60	1	53.3	11.3	1
6SMAF36A	6SMAF36CA	MP	CP	36.0	40.00	44.20	1	58.1	10.4	1
6SMAF40A	6SMAF40CA	MR	CR	40.0	44.40	49.10	1	64.5	9.3	1
6SMAF43A	6SMAF43CA	MT	CT	43.0	47.80	52.80	1	69.4	8.7	1
6SMAF45A	6SMAF45CA	MV	CV	45.0	50.00	55.30	1	72.7	8.3	1
6SMAF48A	6SMAF48CA	MX	CX	48.0	53.30	58.90	1	77.4	7.8	1
6SMAF51A	6SMAF51CA	MZ	CZ	51.0	56.70	62.70	1	82.4	7.3	1
6SMAF54A	6SMAF54CA	NE	DE	54.0	60.00	66.30	1	87.1	6.9	1
6SMAF58A	6SMAF58CA	NG	DG	58.0	64.40	71.20	1	93.6	6.5	1
6SMAF60A	6SMAF60CA	NK	DK	60.0	66.70	73.70	1	96.8	6.2	1
6SMAF64A	6SMAF64CA	NM	DM	64.0	71.10	78.60	1	103.0	5.9	1
6SMAF70A	6SMAF70CA	NP	DP	70.0	77.80	86.00	1	113.0	5.3	1
6SMAF75A	6SMAF75CA	NR	DR	75.0	83.30	92.10	1	121.0	5.0	1
6SMAF78A	6SMAF78CA	NT	DT	78.0	86.70	95.80	1	126.0	4.8	1
6SMAF85A	6SMAF85CA	NV	DV	85.0	94.40	104.00	1	137.0	4.4	1
6SMAF90A	6SMAF90CA	NX	DX	90.0	100.00	111.00	1	146.0	4.1	1
6SMAF100A	6SMAF100CA	NZ	DZ	100.0	111.00	123.00	1	162.0	3.7	1

FEATURES

- | Low profile package
- | Ideal for automated placement
- | 400 Watt peak pulse power capability with a 10/1000 μ s waveform
- | For surface mounted applications to optimize board space
- | Excellent clamping capability
- | Very fast response time
- | Low incremental surge resistance


Uni-directional

Bi-directional

DO-214AC(SMA) PACKAGE INFORMATION



Ref.	Millimeters		Inches	
	Min.	Max.	Min.	Max.
A	1.20	1.60	0.047	0.063
B	4.20	4.60	0.165	0.181
C	2.60	2.80	0.102	0.110
D	2.10	2.40	0.083	0.094
E	0.76	1.52	0.030	0.060
F	0.02	0.20	0.001	0.008
G	4.85	5.25	0.191	0.207
H	0.15	0.30	0.006	0.012

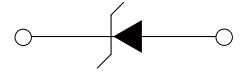
Part Number		Device Marking Code		Reverse Stand-off Voltage	Breakdown Voltage Min.@I _T	Breakdown Voltage Max.@I _T	Test Current	Maximum Clamping Voltage @I _{PP}	Peak Pulse Current	Reverse Leakage @V _{RWM}
Uni-Polar	Bi-Polar	Uni	Bi	V _{RWM} (V)	V _{BR} (V)	V _{BR} (V)	I _T (mA)	V _C (V)	I _{PP} (A)	I _R (μ A)
SMAJ5.0A	SMAJ5.0CA	AE	WE	5.0	6.40	7.00	10	9.2	43.5	800
SMAJ6.0A	SMAJ6.0CA	AG	WG	6.0	6.67	7.37	10	10.3	38.8	800
SMAJ6.5A	SMAJ6.5CA	AK	WK	6.5	7.22	7.98	10	11.2	35.7	500
SMAJ7.0A	SMAJ7.0CA	AM	WM	7.0	7.78	8.60	10	12.0	33.3	200
SMAJ7.5A	SMAJ7.5CA	AP	WP	7.5	8.33	9.21	1	12.9	31.0	100
SMAJ8.0A	SMAJ8.0CA	AR	WR	8.0	8.89	9.83	1	13.6	29.4	50
SMAJ8.5A	SMAJ8.5CA	AT	WT	8.5	9.44	10.40	1	14.4	27.8	20
SMAJ9.0A	SMAJ9.0CA	AV	WV	9.0	10.00	11.10	1	15.4	26.0	10
SMAJ10A	SMAJ10CA	AX	WX	10.0	11.10	12.30	1	17.0	23.5	5

Part Number		Device Marking Code		Reverse Stand-off Voltage	Breakdown Voltage Min.@I _T	Breakdown Voltage Max.@I _T	Test Current	Maximum Clamping Voltage @I _{pp}	Peak Pulse Current	Reverse Leakage @V _{RWM}
Uni-Polar	Bi-Polar	Uni	Bi	V _{RWM} (V)	V _{BR} (V)	V _{BR} (V)	I _T (mA)	V _C (V)	I _{pp} (A)	I _R (uA)
SMAJ11A	SMAJ11CA	AZ	WZ	11.0	12.20	13.50	1	18.2	22.0	1
SMAJ12A	SMAJ12CA	BE	XE	12.0	13.30	14.70	1	19.9	20.1	1
SMAJ13A	SMAJ13CA	BG	XG	13.0	14.40	15.90	1	21.5	18.6	1
SMAJ14A	SMAJ14CA	BK	XK	14.0	15.60	17.20	1	23.2	17.2	1
SMAJ15A	SMAJ15CA	BM	XM	15.0	16.70	18.50	1	24.4	16.4	1
SMAJ16A	SMAJ16CA	BP	XP	16.0	17.80	19.70	1	26.0	15.4	1
SMAJ17A	SMAJ17CA	BR	XR	17.0	18.90	20.90	1	27.6	14.5	1
SMAJ18A	SMAJ18CA	BT	XT	18.0	20.00	22.10	1	29.2	13.7	1
SMAJ20A	SMAJ20CA	BV	XV	20.0	22.20	24.50	1	32.4	12.3	1
SMAJ22A	SMAJ22CA	BX	XX	22.0	24.40	26.90	1	35.5	11.3	1
SMAJ24A	SMAJ24CA	BZ	XZ	24.0	26.70	29.50	1	38.9	10.3	1
SMAJ26A	SMAJ26CA	CE	YE	26.0	28.90	31.90	1	42.1	9.5	1
SMAJ28A	SMAJ28CA	CG	YG	28.0	31.10	34.40	1	45.4	8.8	1
SMAJ30A	SMAJ30CA	CK	YK	30.0	33.30	36.80	1	48.4	8.3	1
SMAJ33A	SMAJ33CA	CM	YM	33.0	36.70	40.60	1	53.3	7.5	1
SMAJ36A	SMAJ36CA	CP	YP	36.0	40.00	44.20	1	58.1	6.9	1
SMAJ40A	SMAJ40CA	CR	YR	40.0	44.40	49.10	1	64.5	6.2	1
SMAJ43A	SMAJ43CA	CT	YT	43.0	47.80	52.80	1	69.4	5.8	1
SMAJ45A	SMAJ45CA	CV	YV	45.0	50.00	55.30	1	72.7	5.5	1
SMAJ48A	SMAJ48CA	CX	YX	48.0	53.30	58.90	1	77.4	5.2	1
SMAJ51A	SMAJ51CA	CZ	YZ	51.0	56.70	62.70	1	82.4	4.9	1
SMAJ54A	SMAJ54CA	RE	ZE	54.0	60.00	66.30	1	87.1	4.6	1
SMAJ58A	SMAJ58CA	RG	ZG	58.0	64.40	71.20	1	93.6	4.3	1
SMAJ60A	SMAJ60CA	RK	ZK	60.0	66.70	73.70	1	96.8	4.1	1
SMAJ64A	SMAJ64CA	RM	ZM	64.0	71.10	78.60	1	103.0	3.9	1
SMAJ70A	SMAJ70CA	RP	ZP	70.0	77.80	86.00	1	113.0	3.5	1
SMAJ75A	SMAJ75CA	RR	ZR	75.0	83.30	92.10	1	121.0	3.3	1
SMAJ78A	SMAJ78CA	RT	ZT	78.0	86.70	95.80	1	126.0	3.2	1
SMAJ85A	SMAJ85CA	RV	ZV	85.0	94.40	104.00	1	137.0	2.9	1
SMAJ90A	SMAJ90CA	RX	ZX	90.0	100.00	111.00	1	146.0	2.7	1
SMAJ100A	SMAJ100CA	RZ	ZZ	100.0	111.00	123.00	1	162.0	2.5	1
SMAJ110A	SMAJ110CA	SE	VE	110.0	122.00	135.00	1	177.0	2.3	1
SMAJ120A	SMAJ120CA	SG	VG	120.0	133.00	147.00	1	193.0	2.1	1
SMAJ130A	SMAJ130CA	SK	VK	130.0	144.00	159.00	1	209.0	1.9	1

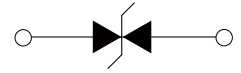
Part Number		Device Marking Code		Reverse Stand-off Voltage	Breakdown Voltage Min.@I _T	Breakdown Voltage Max.@I _T	Test Current	Maximum Clamping Voltage @I _{pp}	Peak Pulse Current	Reverse Leakage @V _{RWM}
Uni-Polar	Bi-Polar	Uni	Bi	V _{RWM} (V)	V _{BR} (V)	V _{BR} (V)	I _T (mA)	V _C (V)	I _{pp} (A)	I _R (uA)
SMAJ150A	SMAJ150CA	SM	VM	150.0	167.00	185.00	1	243.0	1.6	1
SMAJ160A	SMAJ160CA	SP	VP	160.0	178.00	197.00	1	259.0	1.5	1
SMAJ170A	SMAJ170CA	SR	VR	170.0	189.00	209.00	1	275.0	1.5	1
SMAJ180A	SMAJ180CA	ST	VT	180.0	201.00	222.00	1	292.0	1.4	1
SMAJ200A	SMAJ200CA	SV	VV	200.0	224.00	247.00	1	324.0	1.2	1
SMAJ220A	SMAJ220CA	SX	VX	220.0	246.00	272.00	1	356.0	1.1	1
SMAJ250A	SMAJ250CA	SZ	VZ	250.0	279.00	309.00	1	405.0	1.0	1
SMAJ300A	SMAJ300CA	TE	UE	300.0	335.00	371.00	1	486.0	0.8	1
SMAJ350A	SMAJ350CA	TG	UG	350.0	391.00	432.00	1	567.0	0.7	1
SMAJ400A	SMAJ400CA	TK	UK	400.0	447.00	494.00	1	648.0	0.6	1
SMAJ440A	SMAJ440CA	TM	UM	440.0	492.00	543.00	1	713.0	0.6	1

FEATURES

- | Low profile package
- | Ideal for automated placement
- | 600 Watt peak pulse power capability with a 10/1000 μ s waveform
- | For surface mounted applications to optimize board space
- | Excellent clamping capability
- | Very fast response time
- | Low incremental surge resistance

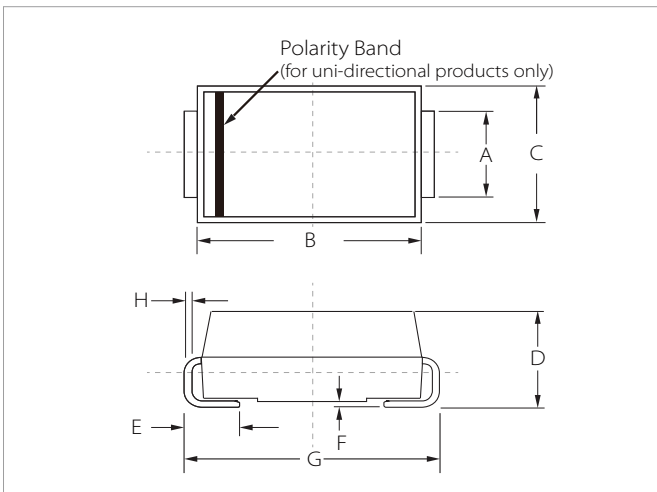


Uni-directional



Bi-directional

DO-214AC(SMA) PACKAGE INFORMATION



Ref.	Millimeters		Inches	
	Min.	Max.	Min.	Max.
A	1.20	1.60	0.047	0.063
B	4.20	4.60	0.165	0.181
C	2.60	2.80	0.102	0.110
D	2.10	2.40	0.083	0.094
E	0.76	1.52	0.030	0.060
F	0.02	0.20	0.001	0.008
G	4.85	5.25	0.191	0.207
H	0.15	0.30	0.006	0.012

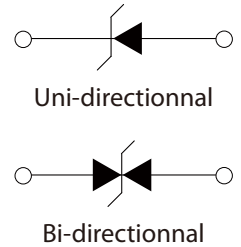
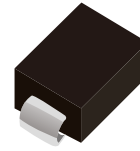
Part Number		Device Marking Code		Reverse Stand-off Voltage	Breakdown Voltage Min.@I _T	Breakdown Voltage Max.@I _T	Test Current	Maximum Clamping Voltage @I _{PP}	Peak Pulse Current	Reverse Leakage @V _{RWM}
Uni-Polar	Bi-Polar	Uni	Bi	V _{RWM} (V)	V _{BR} (V)	V _{BR} (V)	I _T (mA)	V _C (V)	I _{PP} (A)	I _R (μ A)
SMA6J5.0A	SMA6J5.0CA	6KE	6AE	5.0	6.40	7.00	10	9.2	65.3	800
SMA6J6.0A	SMA6J6.0CA	6KG	6AG	6.0	6.67	7.37	10	10.3	58.3	800
SMA6J6.5A	SMA6J6.5CA	6KK	6AK	6.5	7.22	7.98	10	11.2	53.6	500
SMA6J7.0A	SMA6J7.0CA	6KM	6AM	7.0	7.78	8.60	10	12.0	50.0	200
SMA6J7.5A	SMA6J7.5CA	6KP	6AP	7.5	8.33	9.21	1	12.9	46.6	100
SMA6J8.0A	SMA6J8.0CA	6KR	6AR	8.0	8.89	9.83	1	13.6	44.2	50
SMA6J8.5A	SMA6J8.5CA	6KT	6AT	8.5	9.44	10.4	1	14.4	41.7	20
SMA6J9.0A	SMA6J9.0CA	6KV	6AV	9.0	10.0	11.1	1	15.4	39.0	10
SMA6J10A	SMA6J10CA	6KX	6AX	10.0	11.1	12.3	1	17.0	35.3	5

Part Number		Device Marking Code		Reverse Stand-off Voltage	Breakdown Voltage Min.@I _T	Breakdown Voltage Max.@I _T	Test Current	Maximum Clamping Voltage @I _{PP}	Peak Pulse Current	Reverse Leakage @V _{RWM}
Uni-Polar	Bi-Polar	Uni	Bi	V _{RWM} (V)	V _{BR} (V)	V _{BR} (V)	I _T (mA)	V _C (V)	I _{PP} (A)	I _R (uA)
SMA6J11A	SMA6J11CA	6KZ	6AZ	11.0	12.2	13.5	1	18.2	33.0	1
SMA6J12A	SMA6J12CA	6LE	6BE	12.0	13.3	14.7	1	19.9	30.2	1
SMA6J13A	SMA6J13CA	6LG	6BG	13.0	14.4	15.9	1	21.5	28.0	1
SMA6J14A	SMA6J14CA	6LK	6BK	14.0	15.6	17.2	1	23.2	25.9	1
SMA6J15A	SMA6J15CA	6LM	6BM	15.0	16.7	18.5	1	24.4	24.6	1
SMA6J16A	SMA6J16CA	6LP	6BP	16.0	17.8	19.7	1	26.0	23.1	1
SMA6J17A	SMA6J17CA	6LR	6BR	17.0	18.9	20.9	1	27.6	21.8	1
SMA6J18A	SMA6J18CA	6LT	6BT	18.0	20.0	22.1	1	29.2	20.6	1
SMA6J20A	SMA6J20CA	6LV	6BV	20.0	22.2	24.5	1	32.4	18.6	1
SMA6J22A	SMA6J22CA	6LX	6BX	22.0	24.4	26.9	1	35.5	16.9	1
SMA6J24A	SMA6J24CA	6LZ	6BZ	24.0	26.7	29.5	1	38.9	15.5	1
SMA6J26A	SMA6J26CA	6ME	6CE	26.0	28.9	31.9	1	42.1	14.3	1
SMA6J28A	SMA6J28CA	6MG	6CG	28.0	31.1	34.4	1	45.4	13.3	1
SMA6J30A	SMA6J30CA	6MK	6CK	30.0	33.3	36.8	1	48.4	12.4	1
SMA6J33A	SMA6J33CA	6MM	6CM	33.0	36.7	40.6	1	53.3	11.3	1
SMA6J36A	SMA6J36CA	6MP	6CP	36.0	40.0	44.2	1	58.1	10.4	1
SMA6J40A	SMA6J40CA	6MR	6CR	40.0	44.4	49.1	1	64.5	9.3	1
SMA6J43A	SMA6J43CA	6MT	6CT	43.0	47.8	52.8	1	69.4	8.7	1
SMA6J45A	SMA6J45CA	6MV	6CV	45.0	50.0	55.3	1	72.7	8.3	1
SMA6J48A	SMA6J48CA	6MX	6CX	48.0	53.3	58.9	1	77.4	7.8	1
SMA6J51A	SMA6J51CA	6MZ	6CZ	51.0	56.7	62.7	1	82.4	7.3	1
SMA6J54A	SMA6J54CA	6NE	6DE	54.0	60.0	66.3	1	87.1	6.9	1
SMA6J58A	SMA6J58CA	6NG	6DG	58.0	64.4	71.2	1	93.6	6.5	1
SMA6J60A	SMA6J60CA	6NK	6DK	60.0	66.7	73.7	1	96.8	6.2	1
SMA6J64A	SMA6J64CA	6NM	6DM	64.0	71.1	78.6	1	103.0	5.9	1
SMA6J70A	SMA6J70CA	6NP	6DP	70.0	77.8	86.0	1	113.0	5.3	1
SMA6J75A	SMA6J75CA	6NR	6DR	75.0	83.3	92.1	1	121.0	5.0	1
SMA6J78A	SMA6J78CA	6NT	6DT	78.0	86.7	95.8	1	126.0	4.8	1
SMA6J85A	SMA6J85CA	6NV	6DV	85.0	94.4	104.0	1	137.0	4.4	1
SMA6J90A	SMA6J90CA	6NX	6DX	90.0	100.0	111.0	1	146.0	4.1	1
SMA6J100A	SMA6J100CA	6NZ	6DZ	100.0	111.0	123.0	1	162.0	3.7	1
SMA6J110A	SMA6J110CA	6PE	6EE	110.0	122.0	135.0	1	177.0	3.4	1
SMA6J120A	SMA6J120CA	6PG	6EG	120.0	133.0	147.0	1	193.0	3.1	1
SMA6J130A	SMA6J130CA	6PK	6EK	130.0	144.0	159.0	1	209.0	2.9	1

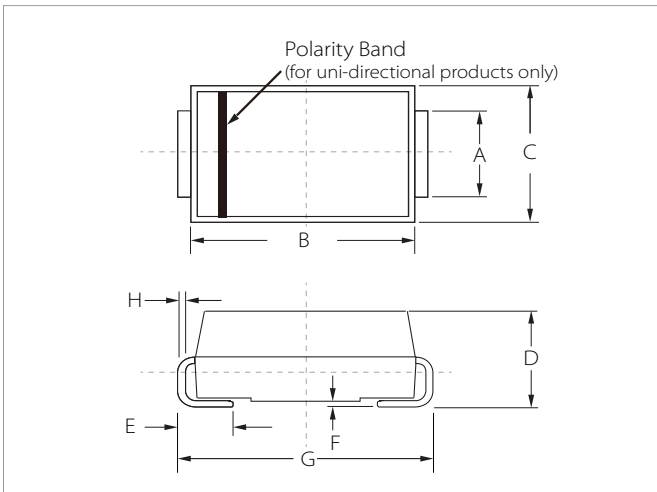
Part Number		Device Marking Code		Reverse Stand-off Voltage	Breakdown Voltage Min.@I _T	Breakdown Voltage Max.@I _T	Test Current	Maximum Clamping Voltage @I _{PP}	Peak Pulse Current	Reverse Leakage @V _{RWM}
Uni-Polar	Bi-Polar	Uni	Bi	V _{RWM} (V)	V _{BR} (V)	V _{BR} (V)	I _T (mA)	V _C (V)	I _{PP} (A)	I _R (uA)
SMA6J150A	SMA6J150CA	6PM	6EM	150.0	167.0	185.0	1	243.0	2.5	1
SMA6J160A	SMA6J160CA	6PP	6EP	160.0	178.0	197.0	1	259.0	2.3	1
SMA6J170A	SMA6J170CA	6PR	6ER	170.0	189.0	209.0	1	275.0	2.2	1
SMA6J180A	SMA6J180CA	6PT	6ET	180.0	201.0	222.0	1	292.0	2.1	1
SMA6J190A	SMA6J190CA	6PA	6EC	190.0	209.0	243.0	1	308.0	2.0	1
SMA6J200A	SMA6J200CA	6PV	6EV	200.0	224.0	247.0	1	324.0	1.9	1
SMA6J210A	SMA6J210CA	6PB	6ED	210.0	231.0	269.0	1	340.0	1.8	1
SMA6J220A	SMA6J220CA	6PX	6EX	220.0	246.0	272.0	1	356.0	1.7	1
SMA6J250A	SMA6J250CA	6PZ	6EZ	250.0	279.0	309.0	1	405.0	1.5	1
SMA6J300A	SMA6J300CA	6QE	6FE	300.0	335.0	371.0	1	486.0	1.3	1
SMA6J350A	SMA6J350CA	6QG	6FG	350.0	391.0	432.0	1	567.0	1.1	1
SMA6J400A	SMA6J400CA	6QK	6FK	400.0	447.0	494.0	1	648.0	0.9	1
SMA6J440A	SMA6J440CA	6QM	6FM	440.0	492.0	543.0	1	713.0	0.8	1

FEATURES

- | Low profile package
- | Ideal for automated placement
- | 600 Watt peak pulse power capability with a 10/1000 μ s waveform
- | For surface mounted applications to optimize board space
- | Excellent clamping capability
- | Very fast response time
- | Low incremental surge resistance



DO-214AA(SMB) PACKAGE INFORMATION



Ref.	Millimeters		Inches	
	Min.	Max.	Min.	Max.
A	1.80	2.20	0.071	0.087
B	4.30	4.70	0.170	0.185
C	3.40	3.90	0.134	0.153
D	2.15	2.55	0.085	0.100
E	1.00	1.50	0.039	0.059
F	0.02	0.20	0.001	0.008
G	5.10	5.50	0.200	0.216
H	0.15	0.30	0.006	0.012

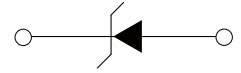
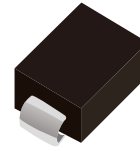
Part Number		Device Marking Code		Reverse Stand-off Voltage	Breakdown Voltage Min.@I _T	Breakdown Voltage Max.@I _T	Test Current	Maximum Clamping Voltage @I _{PP}	Peak Pulse Current	Reverse Leakage @V _{RWM}
Uni-Polar	Bi-Polar	Uni	Bi	V _{RWM} (V)	V _{BR} (V)	V _{BR} (V)	I _T (mA)	V _C (V)	I _{PP} (A)	I _R (μ A)
SMBJ3.3A	SMBJ3.3CA	3V3	3V3C	3.3	4.60	5.60	100	8.2	50.0	2000
SMBJ5.0A	SMBJ5.0CA	KE	AE	5.0	6.40	7.00	10	9.2	65.3	800
SMBJ6.0A	SMBJ6.0CA	KG	AG	6.0	6.67	7.37	10	10.3	58.3	800
SMBJ6.5A	SMBJ6.5CA	KK	AK	6.5	7.22	7.98	10	11.2	53.6	500
SMBJ7.0A	SMBJ7.0CA	KM	AM	7.0	7.78	8.60	10	12.0	50.0	200
SMBJ7.5A	SMBJ7.5CA	KP	AP	7.5	8.33	9.21	1	12.9	46.6	100
SMBJ8.0A	SMBJ8.0CA	KR	AR	8.0	8.89	9.83	1	13.6	44.2	50
SMBJ8.5A	SMBJ8.5CA	KT	AT	8.5	9.44	10.4	1	14.4	41.7	20
SMBJ9.0A	SMBJ9.0CA	KV	AV	9.0	10.0	11.1	1	15.4	39.0	10

Part Number		Device Marking Code		Reverse Stand-off Voltage	Breakdown Voltage Min.@I _T	Breakdown Voltage Max.@I _T	Test Current	Maximum Clamping Voltage @I _{PP}	Peak Pulse Current	Reverse Leakage @V _{RWM}
Uni-Polar	Bi-Polar	Uni	Bi	V _{RWM} (V)	V _{BR} (V)	V _{BR} (V)	I _T (mA)	V _C (V)	I _{PP} (A)	I _R (uA)
SMBJ10A	SMBJ10CA	KX	AX	10.0	11.1	12.3	1	17.0	35.3	5
SMBJ11A	SMBJ11CA	KZ	AZ	11.0	12.2	13.5	1	18.2	33.0	1
SMBJ12A	SMBJ12CA	LE	BE	12.0	13.3	14.7	1	19.9	30.2	1
SMBJ13A	SMBJ13CA	LG	BG	13.0	14.4	15.9	1	21.5	28.0	1
SMBJ14A	SMBJ14CA	LK	BK	14.0	15.6	17.2	1	23.2	25.9	1
SMBJ15A	SMBJ15CA	LM	BM	15.0	16.7	18.5	1	24.4	24.6	1
SMBJ16A	SMBJ16CA	LP	BP	16.0	17.8	19.7	1	26.0	23.1	1
SMBJ17A	SMBJ17CA	LR	BR	17.0	18.9	20.9	1	27.6	21.8	1
SMBJ18A	SMBJ18CA	LT	BT	18.0	20.0	22.1	1	29.2	20.6	1
SMBJ20A	SMBJ20CA	LV	BV	20.0	22.2	24.5	1	32.4	18.6	1
SMBJ22A	SMBJ22CA	LX	BX	22.0	24.4	26.9	1	35.5	16.9	1
SMBJ24A	SMBJ24CA	LZ	BZ	24.0	26.7	29.5	1	38.9	15.5	1
SMBJ26A	SMBJ26CA	ME	CE	26.0	28.9	31.9	1	42.1	14.3	1
SMBJ28A	SMBJ28CA	MG	CG	28.0	31.1	34.4	1	45.4	13.3	1
SMBJ30A	SMBJ30CA	MK	CK	30.0	33.3	36.8	1	48.4	12.4	1
SMBJ33A	SMBJ33CA	MM	CM	33.0	36.7	40.6	1	53.3	11.3	1
SMBJ36A	SMBJ36CA	MP	CP	36.0	40.0	44.2	1	58.1	10.4	1
SMBJ40A	SMBJ40CA	MR	CR	40.0	44.4	49.1	1	64.5	9.3	1
SMBJ43A	SMBJ43CA	MT	CT	43.0	47.8	52.8	1	69.4	8.7	1
SMBJ45A	SMBJ45CA	MV	CV	45.0	50.0	55.3	1	72.7	8.3	1
SMBJ48A	SMBJ48CA	MX	CX	48.0	53.3	58.9	1	77.4	7.8	1
SMBJ51A	SMBJ51CA	MZ	CZ	51.0	56.7	62.7	1	82.4	7.3	1
SMBJ54A	SMBJ54CA	NE	DE	54.0	60.0	66.3	1	87.1	6.9	1
SMBJ58A	SMBJ58CA	NG	DG	58.0	64.4	71.2	1	93.6	6.5	1
SMBJ60A	SMBJ60CA	NK	DK	60.0	66.7	73.7	1	96.8	6.2	1
SMBJ64A	SMBJ64CA	NM	DM	64.0	71.1	78.6	1	103.0	5.9	1
SMBJ70A	SMBJ70CA	NP	DP	70.0	77.8	86.0	1	113.0	5.3	1
SMBJ75A	SMBJ75CA	NR	DR	75.0	83.3	92.1	1	121.0	5.0	1
SMBJ78A	SMBJ78CA	NT	DT	78.0	86.7	95.8	1	126.0	4.8	1
SMBJ85A	SMBJ85CA	NV	DV	85.0	94.4	104.0	1	137.0	4.4	1
SMBJ90A	SMBJ90CA	NX	DX	90.0	100.0	111.0	1	146.0	4.1	1
SMBJ100A	SMBJ100CA	NZ	DZ	100.0	111.0	123.0	1	162.0	3.7	1
SMBJ110A	SMBJ110CA	PE	EE	110.0	122.0	135.0	1	177.0	3.4	1
SMBJ120A	SMBJ120CA	PG	EG	120.0	133.0	147.0	1	193.0	3.1	1

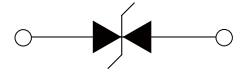
Part Number		Device Marking Code		Reverse Stand-off Voltage	Breakdown Voltage Min.@I _T	Breakdown Voltage Max.@I _T	Test Current	Maximum Clamping Voltage @I _{PP}	Peak Pulse Current	Reverse Leakage @V _{RWM}
Uni-Polar	Bi-Polar	Uni	Bi	V _{RWM} (V)	V _{BR} (V)	V _{BR} (V)	I _T (mA)	V _C (V)	I _{PP} (A)	I _R (uA)
SMBJ130A	SMBJ130CA	PK	EK	130.0	144.0	159.0	1	209.0	2.9	1
SMBJ150A	SMBJ150CA	PM	EM	150.0	167.0	185.0	1	243.0	2.5	1
SMBJ160A	SMBJ160CA	PP	EP	160.0	178.0	197.0	1	259.0	2.3	1
SMBJ170A	SMBJ170CA	PR	ER	170.0	189.0	209.0	1	275.0	2.2	1
SMBJ180A	SMBJ180CA	PT	ET	180.0	201.0	222.0	1	292.0	2.1	1
SMBJ200A	SMBJ200CA	PV	EV	200.0	224.0	247.0	1	324.0	1.9	1
SMBJ220A	SMBJ220CA	PX	EX	220.0	246.0	272.0	1	356.0	1.7	1
SMBJ250A	SMBJ250CA	PZ	EZ	250.0	279.0	309.0	1	405.0	1.5	1
SMBJ300A	SMBJ300CA	QE	FE	300.0	335.0	371.0	1	486.0	1.3	1
SMBJ350A	SMBJ350CA	QG	FG	350.0	391.0	432.0	1	567.0	1.1	1
SMBJ400A	SMBJ400CA	QK	FK	400.0	447.0	494.0	1	648.0	0.9	1
SMBJ440A	SMBJ440CA	QM	FM	440.0	492.0	543.0	1	713.0	0.9	1
SMBJ480A	SMBJ480CA	QP	FP	480.0	536.0	593.0	1	750.0	0.8	1
SMBJ500A	SMBJ500CA	QV	FV	500.0	558.0	618.0	1	762.0	0.8	1
SMBJ510A	SMBJ510CA	QX	FX	510.0	570.0	630.0	1	762.0	0.8	1
SMBJ520A	SMBJ520CA	QR	FR	520.0	578.0	640.0	1	762.0	0.8	1
SMBJ550A	SMBJ550CA	QT	FT	550.0	615.0	680.0	1	860.0	0.7	1

FEATURES

- | Low profile package
- | Ideal for automated placement
- | 600 Watt peak pulse power capability with a 10/1000 μ s waveform
- | For surface mounted applications to optimize board space
- | Excellent clamping capability
- | Very fast response time
- | Low incremental surge resistance

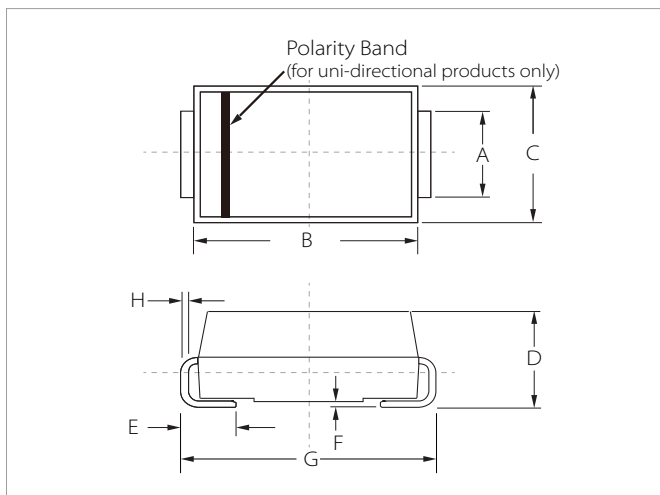


Uni-directional



Bi-directional

DO-214AA(SMB) PACKAGE INFORMATION



Ref.	Millimeters		Inches	
	Min.	Max.	Min.	Max.
A	1.80	2.20	0.071	0.087
B	4.30	4.70	0.170	0.185
C	3.40	3.90	0.134	0.153
D	2.15	2.55	0.085	0.100
E	1.00	1.50	0.039	0.059
F	0.02	0.20	0.001	0.008
G	5.10	5.50	0.200	0.216
H	0.15	0.30	0.006	0.012

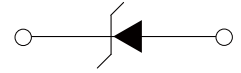
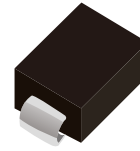
Part Number		Device Marking Code		Reverse Stand-off Voltage	Breakdown Voltage Min.@I _T	Breakdown Voltage Max.@I _T	Test Current	Maximum Clamping Voltage @I _{PP}	Peak Pulse Current	Reverse Leakage @V _{RWM}
Uni-Polar	Bi-Polar	Uni	Bi	V _{RWM} (V)	V _{BR} (V)	V _{BR} (V)	I _T (mA)	V _C (V)	I _{PP} (A)	I _R (uA)
P6SMB6.8A	P6SMB6.8CA	6V8A	6V8C	5.8	6.45	7.14	10	10.5	58.1	1000
P6SMB7.5A	P6SMB7.5CA	7V5A	7V5C	6.4	7.13	7.88	10	11.3	54.0	500
P6SMB8.2A	P6SMB8.2CA	8V2A	8V2C	7.02	7.79	8.61	10	12.1	50.4	200
P6SMB9.1A	P6SMB9.1CA	9V1A	9V1C	7.78	8.65	9.55	1	13.4	45.5	50
P6SMB10A	P6SMB10CA	10A	10C	8.55	9.5	10.5	1	14.5	42.1	10
P6SMB11A	P6SMB11CA	11A	11C	9.4	10.5	11.6	1	15.6	39.1	5
P6SMB12A	P6SMB12CA	12A	12C	10.2	11.4	12.6	1	16.7	36.5	5
P6SMB13A	P6SMB13CA	13A	13C	11.1	12.4	13.7	1	18.2	33.5	1
P6SMB15A	P6SMB15CA	15A	15C	12.8	14.3	15.8	1	21.2	28.8	1

Part Number		Device Marking Code		Reverse Stand-off Voltage	Breakdown Voltage Min.@I _T	Breakdown Voltage Max.@I _T	Test Current	Maximum Clamping Voltage @I _{PP}	Peak Pulse Current	Reverse Leakage @V _{RWM}
Uni-Polar	Bi-Polar	Uni	Bi	V _{RWM} (V)	V _{BR} (V)	V _{BR} (V)	I _T (mA)	V _C (V)	I _{PP} (A)	I _R (uA)
P6SMB16A	P6SMB16CA	16A	16C	13.6	15.2	16.8	1	22.5	27.1	1
P6SMB18A	P6SMB18CA	18A	18C	15.3	17.1	18.9	1	25.5	24.2	1
P6SMB20A	P6SMB20CA	20A	20C	17.1	19.0	21.0	1	27.7	22.0	1
P6SMB22A	P6SMB22CA	22A	22C	18.8	20.9	23.1	1	30.6	19.9	1
P6SMB24A	P6SMB24CA	24A	24C	20.5	22.8	25.2	1	33.2	18.4	1
P6SMB27A	P6SMB27CA	27A	27C	23.1	25.7	28.4	1	37.5	16.3	1
P6SMB30A	P6SMB30CA	30A	30C	25.6	28.5	31.5	1	41.4	14.7	1
P6SMB33A	P6SMB33CA	33A	33C	28.2	31.4	34.7	1	45.7	13.3	1
P6SMB36A	P6SMB36CA	36A	36C	30.8	34.2	37.8	1	49.9	12.2	1
P6SMB39A	P6SMB39CA	39A	39C	33.3	37.1	41.0	1	53.9	11.3	1
P6SMB43A	P6SMB43CA	43A	43C	36.8	40.9	45.2	1	59.3	10.3	1
P6SMB47A	P6SMB47CA	47A	47C	40.2	44.7	49.4	1	64.8	9.4	1
P6SMB51A	P6SMB51CA	51A	51C	43.6	48.5	53.6	1	70.1	8.7	1
P6SMB56A	P6SMB56CA	56A	56C	47.8	53.2	58.8	1	77.0	7.9	1
P6SMB62A	P6SMB62CA	62A	62C	53.0	58.9	65.1	1	85.0	7.2	1
P6SMB68A	P6SMB68CA	68A	68C	58.1	64.6	71.4	1	92.0	6.6	1
P6SMB75A	P6SMB75CA	75A	75C	64.1	71.3	78.8	1	103	5.9	1
P6SMB82A	P6SMB82CA	82A	82C	70.1	77.9	86.1	1	113	5.4	1
P6SMB91A	P6SMB91CA	91A	91C	77.8	86.5	95.5	1	125	4.9	1
P6SMB100A	P6SMB100CA	100A	100C	85.5	95.0	105.0	1	137	4.5	1
P6SMB110A	P6SMB110CA	110A	110C	94.0	105.0	116.0	1	152	4.0	1
P6SMB120A	P6SMB120CA	120A	120C	102.0	114.0	126.0	1	165	3.7	1
P6SMB130A	P6SMB130CA	130A	130C	111.0	124.0	137.0	1	179	3.4	1
P6SMB150A	P6SMB150CA	150A	150C	128.0	143.0	158.0	1	207	2.9	1
P6SMB160A	P6SMB160CA	160A	160C	136.0	152.0	168.0	1	219	2.8	1
P6SMB170A	P6SMB170CA	170A	170C	145.0	162.0	179.0	1	234	2.6	1
P6SMB180A	P6SMB180CA	180A	180C	154.0	171.0	189.0	1	246	2.5	1
P6SMB200A	P6SMB200CA	200A	200C	171.0	190.0	210.0	1	274	2.2	1
P6SMB220A	P6SMB220CA	220A	220C	185.0	209.0	231.0	1	328	1.9	1
P6SMB250A	P6SMB250CA	250A	250C	214.0	237.0	263.0	1	344	1.8	1
P6SMB300A	P6SMB300CA	300A	300C	256.0	285.0	315.0	1	414	1.5	1
P6SMB350A	P6SMB350CA	350A	350C	300.0	332.0	368.0	1	482	1.3	1
P6SMB400A	P6SMB400CA	400A	400C	342.0	380.0	420.0	1	548	1.1	1
P6SMB440A	P6SMB440CA	440A	440C	376.0	418.0	462.0	1	602	1.0	1

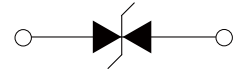
Part Number		Device Marking Code		Reverse Stand-off Voltage	Breakdown Voltage Min.@I _T	Breakdown Voltage Max.@I _T	Test Current	Maximum Clamping Voltage @I _{PP}	Peak Pulse Current	Reverse Leakage @V _{RWM}
Uni-Polar	Bi-Polar	Uni	Bi	V _{RWM} (V)	V _{BR} (V)	V _{BR} (V)	I _T (mA)	V _C (V)	I _{PP} (A)	I _R (uA)
P6SMB480A	P6SMB480CA	480A	480C	408.0	456.0	504.0	1	658	0.9	1
P6SMB510A	P6SMB510CA	510A	510C	434.0	485.0	535.0	1	698	0.9	1
P6SMB530A	P6SMB530CA	530A	530C	451.0	503.5	557.0	1	725	0.8	1
P6SMB540A	P6SMB540CA	540A	540C	459.0	513.0	567.0	1	740	0.8	1
P6SMB550A	P6SMB550CA	550A	550C	467.0	522.5	578.0	1	760	0.8	1
P6SMB600A	P6SMB600CA	600A	600C	510.0	570.0	630.0	1	828	0.75	1

FEATURES

- | Low profile package
- | Ideal for automated placement
- | 1000Watt peak pulse power capability with a 10/1000 μ s waveform
- | For surface mounted applications to optimize board space
- | Excellent clamping capability
- | Very fast response time
- | Low incremental surge resistance

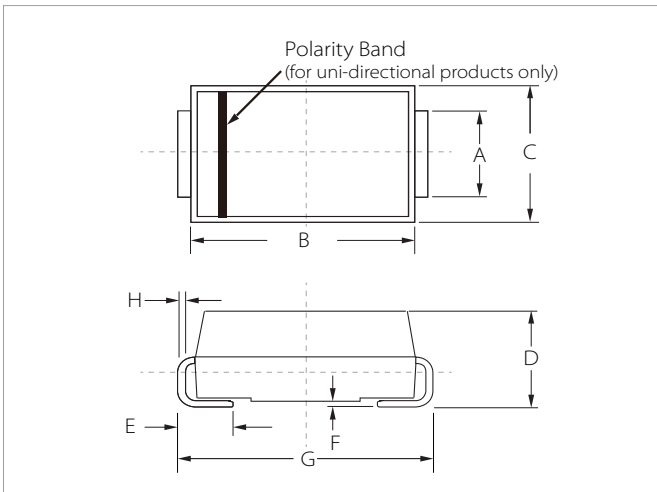


Uni-directional



Bi-directional

DO-214AA(SMB) PACKAGE INFORMATION



Ref.	Millimeters		Inches	
	Min.	Max.	Min.	Max.
A	1.80	2.20	0.071	0.087
B	4.30	4.70	0.170	0.185
C	3.40	3.90	0.134	0.153
D	2.15	2.55	0.085	0.100
E	1.00	1.50	0.039	0.059
F	0.02	0.20	0.001	0.008
G	5.10	5.50	0.200	0.216
H	0.15	0.30	0.006	0.012

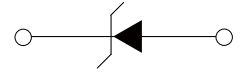
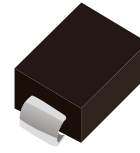
Part Number		Device Marking Code		Reverse Stand-off Voltage	Breakdown Voltage Min.@I _T	Breakdown Voltage Max.@I _T	Test Current	Maximum Clamping Voltage @I _{PP}	Peak Pulse Current	Reverse Leakage @V _{RWM}
Uni-Polar	Bi-Polar	Uni	Bi	V _{RWM} (V)	V _{BR} (V)	V _{BR} (V)	I _T (mA)	V _C (V)	I _{PP} (A)	I _R (μ A)
SMB10J5.0A	SMB10J5.0CA	TKE	TAE	5.0	6.40	7.00	10	9.2	108.7	800
SMB10J6.0A	SMB10J6.0CA	TKG	TAG	6.0	6.67	7.37	10	10.3	97.1	800
SMB10J6.5A	SMB10J6.5CA	TKK	TAK	6.5	7.22	7.98	10	11.2	89.3	500
SMB10J7.0A	SMB10J7.0CA	TKM	TAM	7.0	7.78	8.60	10	12.0	83.3	200
SMB10J7.5A	SMB10J7.5CA	TKP	TAP	7.5	8.33	9.21	1	12.9	77.5	100
SMB10J8.0A	SMB10J8.0CA	TKR	TAR	8.0	8.89	9.83	1	13.6	73.5	50
SMB10J8.5A	SMB10J8.5CA	TKT	TAT	8.5	9.44	10.4	1	14.4	69.4	20
SMB10J9.0A	SMB10J9.0CA	TKV	TAV	9.0	10.0	11.1	1	15.4	64.9	10
SMB10J10A	SMB10J10CA	TKX	TAX	10.0	11.1	12.3	1	17.0	58.8	5

Part Number		Device Marking Code		Reverse Stand-off Voltage	Breakdown Voltage Min.@I _T	Breakdown Voltage Max.@I _T	Test Current	Maximum Clamping Voltage @I _{PP}	Peak Pulse Current	Reverse Leakage @V _{RWM}
Uni-Polar	Bi-Polar	Uni	Bi	V _{RWM} (V)	V _{BR} (V)	V _{BR} (V)	I _T (mA)	V _C (V)	I _{PP} (A)	I _R (μ A)
SMB10J11A	SMB10J11CA	TKZ	TAZ	11.0	12.2	13.5	1	18.2	54.9	1
SMB10J12A	SMB10J12CA	TLE	TBE	12.0	13.3	14.7	1	19.9	50.3	1
SMB10J13A	SMB10J13CA	TLG	TBG	13.0	14.4	15.9	1	21.5	46.5	1
SMB10J14A	SMB10J14CA	TLK	TBK	14.0	15.6	17.2	1	23.2	43.1	1
SMB10J15A	SMB10J15CA	TLM	TBM	15.0	16.7	18.5	1	24.4	41.0	1
SMB10J16A	SMB10J16CA	TLP	TBP	16.0	17.8	19.7	1	26.0	38.5	1
SMB10J17A	SMB10J17CA	TLR	TBR	17.0	18.9	20.9	1	27.6	36.2	1
SMB10J18A	SMB10J18CA	TLT	TBT	18.0	20.0	22.1	1	29.2	34.2	1
SMB10J20A	SMB10J20CA	TLV	TBV	20.0	22.2	24.5	1	32.4	30.9	1
SMB10J22A	SMB10J22CA	TLX	TBX	22.0	24.4	26.9	1	35.5	28.2	1
SMB10J24A	SMB10J24CA	TLZ	TBZ	24.0	26.7	29.5	1	38.9	25.7	1
SMB10J26A	SMB10J26CA	TME	TCE	26.0	28.9	31.9	1	42.1	23.8	1
SMB10J28A	SMB10J28CA	TMG	TCG	28.0	31.1	34.4	1	45.4	22.0	1
SMB10J30A	SMB10J30CA	TMK	TCK	30.0	33.3	36.8	1	48.4	20.7	1
SMB10J33A	SMB10J33CA	TMM	TCM	33.0	36.7	40.6	1	53.3	18.8	1
SMB10J36A	SMB10J36CA	TMP	TCP	36.0	40.0	44.2	1	58.1	17.2	1
SMB10J40A	SMB10J40CA	TMR	TCR	40.0	44.4	49.1	1	64.5	15.5	1
SMB10J43A	SMB10J43CA	TMT	TCT	43.0	47.8	52.8	1	69.4	14.4	1
SMB10J45A	SMB10J45CA	TMV	TCV	45.0	50.0	55.3	1	72.7	13.8	1
SMB10J48A	SMB10J48CA	TMX	TCX	48.0	53.5	58.9	1	77.4	12.9	1
SMB10J51A	SMB10J51CA	TMZ	TCZ	51.0	56.7	62.7	1	82.4	12.1	1
SMB10J54A	SMB10J54CA	TNE	TDE	54.0	60.0	66.3	1	87.1	11.5	1
SMB10J58A	SMB10J58CA	TNG	TDG	58.0	64.4	71.2	1	93.6	10.7	1
SMB10J60A	SMB10J60CA	TNK	TDK	60.0	66.7	73.7	1	96.8	10.3	1
SMB10J64A	SMB10J64CA	TNM	TDM	64.0	71.7	78.6	1	103.0	9.7	1
SMB10J70A	SMB10J70CA	TNP	TDP	70.0	77.8	86.0	1	113.0	8.8	1
SMB10J75A	SMB10J75CA	TNR	TDR	75.0	83.8	92.1	1	121.0	8.3	1
SMB10J78A	SMB10J78CA	TNT	TDT	78.0	86.7	95.8	1	126.0	7.9	1
SMB10J85A	SMB10J85CA	TNV	TDV	85.0	94.4	104.0	1	137.0	7.3	1
SMB10J90A	SMB10J90CA	TNX	TDX	90.0	100.0	111.0	1	146.0	6.8	1
SMB10J100A	SMB10J100CA	TNZ	TDZ	100.0	111.0	123.0	1	162.0	6.2	1
SMB10J110A	SMB10J110CA	TPE	TEE	110.0	122.0	135.0	1	177.0	5.6	1
SMB10J120A	SMB10J120CA	TPG	TEG	120.0	133.0	147.0	1	193.0	5.2	1
SMB10J130A	SMB10J130CA	TPK	TEK	130.0	144.0	159.0	1	209.0	4.8	1

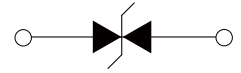
Part Number		Device Marking Code		Reverse Stand-off Voltage	Breakdown Voltage Min.@I _T	Breakdown Voltage Max.@I _T	Test Current	Maximum Clamping Voltage @I _{PP}	Peak Pulse Current	Reverse Leakage @V _{RWM}
Uni-Polar	Bi-Polar	Uni	Bi	V _{RWM} (V)	V _{BR} (V)	V _{BR} (V)	I _T (mA)	V _C (V)	I _{PP} (A)	I _R (uA)
SMB10J150A	SMB10J150CA	TPM	TEM	150.0	167.0	185.0	1	243.0	4.1	1
SMB10J160A	SMB10J160CA	TPP	TEP	160.0	178.0	197.0	1	259.0	3.9	1
SMB10J170A	SMB10J170CA	TPR	TER	170.0	189.0	209.0	1	275.0	3.6	1
SMB10J180A	SMB10J180CA	TPT	TET	180.0	201.0	222.0	1	292.0	3.4	1
SMB10J190A	SMB10J190CA	TPA	TEC	190.0	209.0	243.0	1	308.0	3.2	1
SMB10J200A	SMB10J200CA	TPV	TEV	200.0	224.0	247.0	1	324.0	3.1	1
SMB10J210A	SMB10J210CA	TPB	TED	210.0	231.0	269.0	1	340.0	2.9	1
SMB10J220A	SMB10J220CA	TPX	TEX	220.0	246.0	272.0	1	356.0	2.8	1
SMB10J250A	SMB10J250CA	TPZ	TEZ	250.0	279.0	309.0	1	405.0	2.5	1
SMB10J300A	SMB10J300CA	TQE	TFE	300.0	335.0	371.0	1	486.0	2.1	1
SMB10J350A	SMB10J350CA	TQG	TFG	350.0	391.0	432.0	1	567.0	1.8	1
SMB10J400A	SMB10J400CA	TQK	TFK	400.0	447.0	494.0	1	648.0	1.5	1
SMB10J440A	SMB10J440CA	TQM	TFM	440.0	492.0	543.0	1	713.0	1.4	1

FEATURES

- | Low profile package
- | Ideal for automated placement
- | 1500 Watt peak pulse power capability with a 10/1000µs waveform
- | For surface mounted applications to optimize board space
- | Excellent clamping capability
- | Very fast response time
- | Low incremental surge resistance

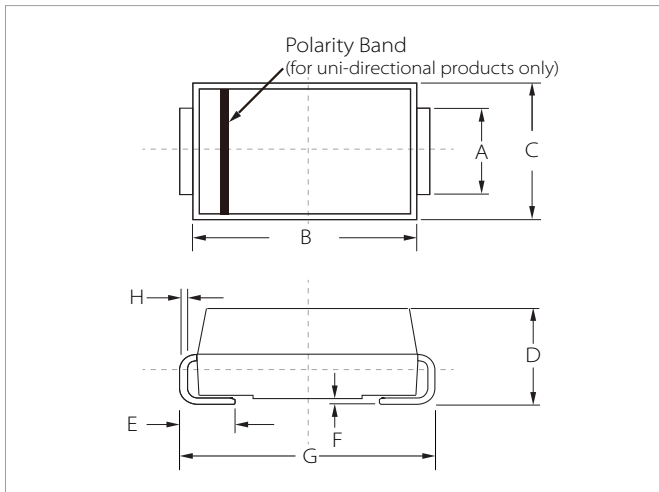


Uni-directional



Bi-directional

DO-214AA(SMB) PACKAGE INFORMATION



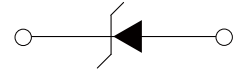
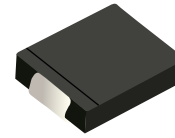
Ref.	Millimeters		Inches	
	Min.	Max.	Min.	Max.
A	1.80	2.20	0.071	0.087
B	4.30	4.70	0.170	0.185
C	3.40	3.90	0.134	0.153
D	2.15	2.55	0.085	0.100
E	1.00	1.50	0.039	0.059
F	0.02	0.20	0.001	0.008
G	5.10	5.50	0.200	0.216
H	0.15	0.30	0.006	0.012

Part Number		Device Marking Code		Reverse Stand-off Voltage	Breakdown Voltage Min.@I _T	Breakdown Voltage Max.@I _T	Test Current	Maximum Clamping Voltage @I _{PP}	Peak Pulse Current	Reverse Leakage @V _{RWM}
Uni-Polar	Bi-Polar	Uni	Bi	V _{RWM} (V)	V _{BR} (V)	V _{BR} (V)	I _T (mA)	V _C (V)	I _{PP} (A)	I _R (µA)
SMB15J11A	SMB15J11CA	GDZ	BDZ	11.0	12.2	13.5	10	18.2	82.4	800
SMB15J12A	SMB15J12CA	GEE	BEE	12.0	13.3	14.7	10	19.9	75.4	800
SMB15J13A	SMB15J13CA	GEG	BEG	13.0	14.4	15.9	10	21.5	69.8	500
SMB15J14A	SMB15J14CA	GEK	BEK	14.0	15.6	17.2	10	23.2	64.7	200
SMB15J15A	SMB15J15CA	GEM	BEM	15.0	16.7	18.5	1	24.4	61.5	100
SMB15J16A	SMB15J16CA	GEP	BEP	16.0	17.8	19.7	1	26.0	57.7	50
SMB15J17A	SMB15J17CA	GER	BER	17.0	18.9	20.9	1	27.6	54.3	20
SMB15J18A	SMB15J18CA	GET	BET	18.0	20.0	22.1	1	29.2	51.4	10
SMB15J20A	SMB15J20CA	GEV	BEV	20.0	22.2	24.5	1	32.4	46.3	5

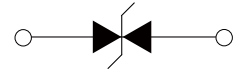
Part Number		Device Marking Code		Reverse Stand-off Voltage	Breakdown Voltage Min.@I _T	Breakdown Voltage Max.@I _T	Test Current	Maximum Clamping Voltage @I _{PP}	Peak Pulse Current	Reverse Leakage @V _{RWM}
Uni-Polar	Bi-Polar	Uni	Bi	V _{RWM} (V)	V _{BR} (V)	V _{BR} (V)	I _T (mA)	V _C (V)	I _{PP} (A)	I _R (uA)
SMB15J22A	SMB15J22CA	GEX	BEX	22.0	24.4	26.9	1	35.5	42.3	1
SMB15J24A	SMB15J24CA	GEZ	BEZ	24.0	26.7	29.5	1	38.9	38.6	1
SMB15J26A	SMB15J26CA	GFE	BFE	26.0	28.9	31.9	1	42.1	35.6	1
SMB15J28A	SMB15J28CA	GFG	BFG	28.0	31.1	34.4	1	45.4	33.0	1
SMB15J30A	SMB15J30CA	GFK	BFK	30.0	33.3	36.8	1	48.4	31.0	1
SMB15J33A	SMB15J33CA	GFM	BFM	33.0	36.7	40.6	1	53.3	28.1	1
SMB15J36A	SMB15J36CA	GFP	BFP	36.0	40.0	44.2	1	58.1	25.8	1
SMB15J40A	SMB15J40CA	GFR	BFR	40.0	44.4	49.1	1	64.5	23.3	1
SMB15J43A	SMB15J43CA	GFT	BFT	43.0	47.8	52.8	1	69.4	21.6	1
SMB15J45A	SMB15J45CA	GFV	BFV	45.0	50.0	55.3	1	72.7	20.6	1
SMB15J48A	SMB15J48CA	GFX	BFX	48.0	53.3	58.9	1	77.4	19.4	1
SMB15J51A	SMB15J51CA	GFZ	BFZ	51.0	56.7	62.7	1	82.4	18.2	1
SMB15J54A	SMB15J54CA	GGE	BGE	54.0	60.0	66.3	1	87.1	17.2	1
SMB15J58A	SMB15J58CA	GGG	BGG	58.0	64.4	71.2	1	93.6	16.0	1
SMB15J60A	SMB15J60CA	GGK	BGK	60.0	66.7	73.7	1	96.8	15.5	1
SMB15J64A	SMB15J64CA	GGM	BGM	64.0	71.1	78.6	1	103.0	14.6	1
SMB15J70A	SMB15J70CA	GGP	BGP	70.0	77.8	86.0	1	113.0	13.3	1
SMB15J75A	SMB15J75CA	GGR	BGR	75.0	83.3	92.1	1	121.0	12.4	1
SMB15J78A	SMB15J78CA	GGT	BGT	78.0	86.7	95.8	1	126.0	11.9	1
SMB15J85A	SMB15J85CA	GGV	BGV	85.0	94.4	104.0	1	137.0	10.9	1
SMB15J90A	SMB15J90CA	GGX	BGX	90.0	100.0	111.0	1	146.0	10.3	1
SMB15J100A	SMB15J100CA	GGZ	BGZ	100.0	111.0	123.0	1	162.0	9.3	1
SMB15J110A	SMB15J110CA	GHE	BHE	110.0	122.0	135.0	1	177.0	8.5	1
SMB15J120A	SMB15J120CA	GHG	BHG	120.0	133.0	147.0	1	193.0	7.8	1
SMB15J130A	SMB15J130CA	GHK	BHK	130.0	144.0	159.0	1	209.0	7.2	1
SMB15J150A	SMB15J150CA	GHM	BHM	150.0	167.0	185.0	1	243.0	6.2	1
SMB15J160A	SMB15J160CA	GHP	BHP	160.0	178.0	197.0	1	259.0	5.8	1
SMB15J170A	SMB15J170CA	GHR	BHR	170.0	189.0	209.0	1	275.0	5.5	1

FEATURES

- | Low profile package
- | Ideal for automated placement
- | 1500 Watt peak pulse power capability with a 10/1000μs waveform
- | For surface mounted applications to optimize board space
- | Excellent clamping capability
- | Very fast response time
- | Low incremental surge resistance

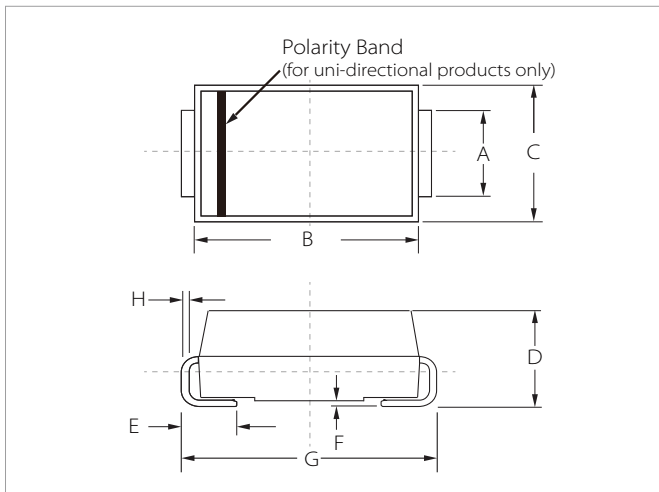


Uni-directional



Bi-directional

DO-214AB(SMC) PACKAGE INFORMATION



Ref.	Millimeters		Inches	
	Min.	Max.	Min.	Max.
A	2.80	3.20	0.110	0.126
B	6.60	7.20	0.260	0.283
C	5.70	6.10	0.224	0.240
D	2.15	2.75	0.085	0.108
E	1.00	1.60	0.039	0.063
F	0.02	0.20	0.000	0.008
G	7.60	8.00	0.299	0.315
H	0.15	0.30	0.006	0.012

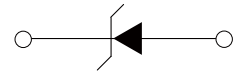
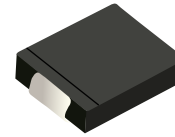
Part Number		Device Marking Code		Reverse Stand-off Voltage	Breakdown Voltage Min.@I _T	Breakdown Voltage Max.@I _T	Test Current	Maximum Clamping Voltage @I _{PP}	Peak Pulse Current	Reverse Leakage @V _{RWM}
Uni-Polar	Bi-Polar	Uni	Bi	V _{RWM} (V)	V _{BR} (V)	V _{BR} (V)	I _T (mA)	V _C (V)	I _{PP} (A)	I _R (μA)
SMCJ5.0A	SMCJ5.0CA	GDE	BDE	5.0	6.40	7.00	10	9.2	163.0	800
SMCJ6.0A	SMCJ6.0CA	GDG	BDG	6.0	6.67	7.37	10	10.3	145.7	800
SMCJ6.5A	SMCJ6.5CA	GDK	BDK	6.5	7.22	7.98	10	11.2	134.0	500
SMCJ7.0A	SMCJ7.0CA	GDM	BDM	7.0	7.78	8.60	10	12.0	125.0	200
SMCJ7.5A	SMCJ7.5CA	GDP	BDP	7.5	8.33	9.21	1	12.9	116.3	100
SMCJ8.0A	SMCJ8.0CA	GDR	BDR	8.0	8.89	9.83	1	13.6	110.3	50
SMCJ8.5A	SMCJ8.5CA	GDT	BDT	8.5	9.44	10.40	1	14.4	104.2	20
SMCJ9.0A	SMCJ9.0CA	GDV	BDV	9.0	10.00	11.10	1	15.4	97.4	10
SMCJ10A	SMCJ10CA	GDX	BDX	10.0	11.10	12.30	1	17.0	88.3	5

Part Number		Device Marking Code		Reverse Stand-off Voltage	Breakdown Voltage Min.@I _T	Breakdown Voltage Max.@I _T	Test Current	Maximum Clamping Voltage @I _{PP}	Peak Pulse Current	Reverse Leakage @V _{RWM}
Uni-Polar	Bi-Polar	Uni	Bi	V _{RWM} (V)	V _{BR} (V)	V _{BR} (V)	I _T (mA)	V _C (V)	I _{PP} (A)	I _R (uA)
SMCJ11A	SMCJ11CA	GDZ	BDZ	11.0	12.20	13.50	1	18.2	82.5	1
SMCJ12A	SMCJ12CA	GEE	BEE	12.0	13.30	14.70	1	19.9	75.4	1
SMCJ13A	SMCJ13CA	GEG	BEG	13.0	14.40	15.90	1	21.5	69.8	1
SMCJ14A	SMCJ14CA	GEK	BEK	14.0	15.60	17.20	1	23.2	64.7	1
SMCJ15A	SMCJ15CA	GEM	BEM	15.0	16.70	18.50	1	24.4	61.5	1
SMCJ16A	SMCJ16CA	GEP	BEP	16.0	17.80	19.70	1	26.0	57.7	1
SMCJ17A	SMCJ17CA	GER	BER	17.0	18.90	20.90	1	27.6	54.4	1
SMCJ18A	SMCJ18CA	GET	BET	18.0	20.00	22.10	1	29.2	51.4	1
SMCJ20A	SMCJ20CA	GEV	BEV	20.0	22.20	24.50	1	32.4	46.3	1
SMCJ22A	SMCJ22CA	GEX	BEX	22.0	24.40	26.90	1	35.5	42.3	1
SMCJ24A	SMCJ24CA	GEZ	BEZ	24.0	26.70	29.50	1	38.9	38.6	1
SMCJ26A	SMCJ26CA	GFE	BFE	26.0	28.90	31.90	1	42.1	35.7	1
SMCJ28A	SMCJ28CA	GFG	BFG	28.0	31.10	34.40	1	45.4	33.1	1
SMCJ30A	SMCJ30CA	GFK	BFK	30.0	33.30	36.80	1	48.4	31.0	1
SMCJ33A	SMCJ33CA	GFM	BFM	33.0	36.70	40.60	1	53.3	28.2	1
SMCJ36A	SMCJ36CA	GFP	BFP	36.0	40.00	44.20	1	58.1	25.9	1
SMCJ40A	SMCJ40CA	GFR	BFR	40.0	44.40	49.10	1	64.5	23.3	1
SMCJ43A	SMCJ43CA	GFT	BFT	43.0	47.80	52.80	1	69.4	21.7	1
SMCJ45A	SMCJ45CA	GFV	BFV	45.0	50.00	55.30	1	72.7	20.6	1
SMCJ48A	SMCJ48CA	GFX	BFX	48.0	53.30	58.90	1	77.4	19.4	1
SMCJ51A	SMCJ51CA	GFZ	BFZ	51.0	56.70	62.70	1	82.4	18.2	1
SMCJ54A	SMCJ54CA	GGE	BGE	54.0	60.00	66.30	1	87.1	17.3	1
SMCJ58A	SMCJ58CA	GGG	BGG	58.0	64.40	71.20	1	93.6	16.1	1
SMCJ60A	SMCJ60CA	GGK	BGK	60.0	66.7	73.7	1	96.8	15.5	1
SMCJ64A	SMCJ64CA	GGM	BGM	64.0	71.1	78.6	1	103.0	14.6	1
SMCJ70A	SMCJ70CA	GGP	BGP	70.0	77.8	86.0	1	113.0	13.3	1
SMCJ75A	SMCJ75CA	GGR	BGR	75.0	83.3	92.1	1	121.0	12.4	1
SMCJ78A	SMCJ78CA	GGT	BGT	78.0	86.7	95.8	1	126.0	11.9	1
SMCJ85A	SMCJ85CA	GGV	BGV	85.0	94.4	104.0	1	137.0	11.0	1
SMCJ90A	SMCJ90CA	GGX	BGX	90.0	100.0	111.0	1	146.0	10.3	1
SMCJ100A	SMCJ100CA	GGZ	BGZ	100.0	111.0	123.0	1	162.0	9.3	1
SMCJ110A	SMCJ110CA	GHE	BHE	110.0	122.0	135.0	1	177.0	8.5	1
SMCJ120A	SMCJ120CA	GHG	BHG	120.0	133.0	147.0	1	193.0	7.8	1
SMCJ130A	SMCJ130CA	GHK	BHK	130.0	144.0	159.0	1	209.0	7.2	1

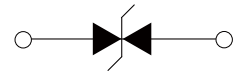
Part Number		Device Marking Code		Reverse Stand-off Voltage	Breakdown Voltage Min.@I _T	Breakdown Voltage Max.@I _T	Test Current	Maximum Clamping Voltage @I _{PP}	Peak Pulse Current	Reverse Leakage @V _{RWM}
Uni-Polar	Bi-Polar	Uni	Bi	V _{RWM} (V)	V _{BR} (V)	V _{BR} (V)	I _T (mA)	V _C (V)	I _{PP} (A)	I _R (uA)
SMCJ150A	SMCJ150CA	GHM	BHM	150.0	167.0	185.0	1	243.0	6.2	1
SMCJ160A	SMCJ160CA	GHP	BHP	160.0	178.0	197.0	1	259.0	5.8	1
SMCJ170A	SMCJ170CA	GHR	BHR	170.0	189.0	209.0	1	275.0	5.5	1
SMCJ180A	SMCJ180CA	GHT	BHT	180.0	201.0	222.0	1	292.0	5.1	1
SMCJ200A	SMCJ200CA	GHV	BHV	200.0	224.0	247.0	1	324.0	4.6	1
SMCJ220A	SMCJ220CA	GHX	BHX	220.0	246.0	272.0	1	356.0	4.2	1
SMCJ250A	SMCJ250CA	GHZ	BHZ	250.0	279.0	309.0	1	405.0	3.7	1
SMCJ300A	SMCJ300CA	GJE	BJE	300.0	335.0	371.0	1	486.0	3.1	1
SMCJ350A	SMCJ350CA	GJG	BJG	350.0	391.0	432.0	1	567.0	2.6	1
SMCJ400A	SMCJ400CA	GJK	BJK	400.0	447.0	494.0	1	648.0	2.3	1
SMCJ440A	SMCJ440CA	GJM	BJM	440.0	492.0	543.0	1	713.0	2.1	1
SMCJ480A	SMCJ480CA	GJP	BJP	480.0	536.0	593.0	1	750.0	2.0	1
SMCJ520A	SMCJ520CA	GJR	BJR	520.0	578.0	640.0	1	762.0	2.0	1
SMCJ550A	SMCJ550CA	GJT	BJT	550.0	615.0	680.0	1	860.0	1.7	1

FEATURES

- | Low profile package
- | Ideal for automated placement
- | Available in uni-directional and Bi-directional
- | 1500W peak pulse power capability with a 10/1000us wave form
- | For surface mounted applications to optimize board space
- | Excellent clamping capability
- | Very fast response time
- | Low incremental surge resistance

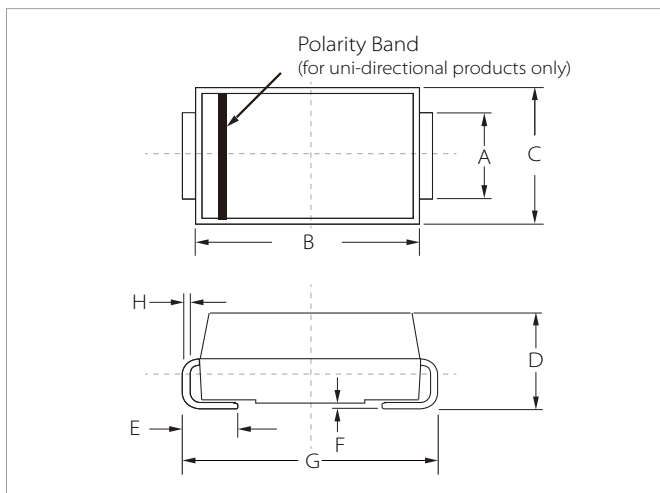


Uni-directional



Bi-directional

DO-214AB(SMC) PACKAGE INFORMATION



Ref.	Millimeters		Inches	
	Min.	Max.	Min.	Max.
A	2.80	3.20	0.110	0.126
B	6.60	7.20	0.260	0.283
C	5.70	6.10	0.224	0.240
D	2.15	2.75	0.085	0.108
E	1.00	1.60	0.039	0.063
F	0.02	0.20	0.000	0.008
G	7.60	8.00	0.299	0.315
H	0.15	0.30	0.006	0.012

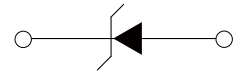
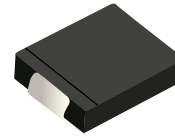
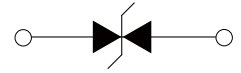
Part Number		Device Marking Code		Reverse Stand-off Voltage	Breakdown Voltage Min.@I _T	Breakdown Voltage Max.@I _T	Test Current	Maximum Clamping Voltage @I _{PP}	Peak Pulse Current	Reverse Leakage @V _{RWM}
Uni-Polar	Bi-Polar	Uni	Bi	V _{RWM} (V)	V _{BR} (V)	V _{BR} (V)	I _T (mA)	V _C (V)	I _{PP} (A)	I _R (uA)
1.5SMC6.8A	1.5SMC6.8CA	6V8A	6V8C	5.8	6.45	7.14	10.0	10.5	145.0	1000.0
1.5SMC7.5A	1.5SMC7.5CA	7V5A	7V5C	6.4	7.13	7.88	10.0	11.3	135.0	500.0
1.5SMC8.2A	1.5SMC8.2CA	8V2A	8V2C	7.02	7.79	8.61	10.0	12.1	126.0	200.0
1.5SMC9.1A	1.5SMC9.1CA	9V1A	9V1C	7.78	8.65	9.55	1.0	13.4	113.0	50.0
1.5SMC10A	1.5SMC10A	10A	10C	8.55	9.50	10.5	1.0	14.5	105.0	10.0
1.5SMC11A	1.5SMC11A	11A	11C	9.4	10.5	11.6	1.0	15.6	97.4	5.0
1.5SMC12A	1.5SMC12A	12A	12C	10.2	11.4	12.6	1.0	16.7	91.0	5.0
1.5SMC13A	1.5SMC13A	13A	13C	11.1	12.4	13.7	1.0	18.2	83.5	1.0
1.5SMC15A	1.5SMC15A	15A	15C	12.8	14.3	15.8	1.0	21.2	71.7	1.0

Part Number		Device Marking Code		Reverse Stand-off Voltage	Breakdown Voltage Min.@I _T	Breakdown Voltage Max.@I _T	Test Current	Maximum Clamping Voltage @I _{PP}	Peak Pulse Current	Reverse Leakage @V _{RWM}
Uni-Polar	Bi-Polar	Uni	Bi	V _{RWM} (V)	V _{BR} (V)	V _{BR} (V)	I _T (mA)	V _C (V)	I _{PP} (A)	I _R (uA)
1.5SMC16A	1.5SMC16A	16A	16C	13.6	15.2	16.8	1.0	22.5	67.6	1.0
1.5SMC18A	1.5SMC18A	18A	18C	15.3	17.1	18.9	1.0	25.5	60.3	1.0
1.5SMC20A	1.5SMC20A	20A	20C	17.1	19.0	21.0	1.0	27.7	54.9	1.0
1.5SMC22A	1.5SMC22A	22A	22C	18.8	20.9	23.1	1.0	30.6	49.7	1.0
1.5SMC24A	1.5SMC24A	24A	24C	20.5	22.8	25.2	1.0	33.2	45.8	1.0
1.5SMC27A	1.5SMC27A	27A	27C	23.1	25.7	28.4	1.0	37.5	40.5	1.0
1.5SMC30A	1.5SMC30A	30A	30C	25.6	28.5	31.5	1.0	41.4	36.7	1.0
1.5SMC33A	1.5SMC33A	33A	33C	28.2	31.4	34.7	1.0	45.7	33.3	1.0
1.5SMC36A	1.5SMC36A	36A	36C	30.8	34.2	37.8	1.0	49.9	30.5	1.0
1.5SMC39A	1.5SMC39A	39A	39C	33.3	37.1	41.0	1.0	53.9	28.2	1.0
1.5SMC43A	1.5SMC43A	43A	43C	36.8	40.9	45.2	1.0	59.3	25.6	1.0
1.5SMC47A	1.5SMC47A	47A	47C	40.2	44.7	49.4	1.0	64.8	23.5	1.0
1.5SMC51A	1.5SMC51A	51A	51C	43.6	48.5	53.6	1.0	70.1	21.7	1.0
1.5SMC56A	1.5SMC56A	56A	56C	47.8	53.2	58.8	1.0	77.0	19.7	1.0
1.5SMC62A	1.5SMC62A	62A	62C	53.0	58.9	65.1	1.0	85.0	17.9	1.0
1.5SMC68A	1.5SMC68A	68A	68C	58.1	64.6	71.4	1.0	92.0	16.5	1.0
1.5SMC75A	1.5SMC75A	75A	75C	64.1	71.3	78.8	1.0	103.0	14.8	1.0
1.5SMC82A	1.5SMC82A	82A	82C	70.1	77.9	86.1	1.0	113.0	13.5	1.0
1.5SMC91A	1.5SMC91A	91A	91C	77.8	86.5	95.5	1.0	125.0	12.2	1.0
1.5SMC100A	1.5SMC100A	100A	100C	85.5	95.0	105.0	1.0	137.0	11.1	1.0
1.5SMC110A	1.5SMC110A	110A	110C	94.0	105.0	116.0	1.0	152.0	10.0	1.0
1.5SMC120A	1.5SMC120A	120A	120C	102.0	114.0	126.0	1.0	165.0	9.2	1.0
1.5SMC130A	1.5SMC130A	130A	130C	111.0	124.0	137.0	1.0	179.0	8.5	1.0
1.5SMC150A	1.5SMC150A	150A	150C	128.0	143.0	158.0	1.0	207.0	7.3	1.0
1.5SMC160A	1.5SMC160A	160A	160C	136.0	152.0	168.0	1.0	219.0	6.9	1.0
1.5SMC170A	1.5SMC170A	170A	170C	145.0	162.0	179.0	1.0	234.0	6.5	1.0
1.5SMC180A	1.5SMC180A	180A	180C	154.0	171.0	189.0	1.0	246.0	6.2	1.0
1.5SMC200A	1.5SMC200A	200A	200C	171.0	190.0	210.0	1.0	274.0	5.5	1.0
1.5SMC220A	1.5SMC220A	220A	220C	185.0	209.0	231.0	1.0	328.0	4.6	1.0
1.5SMC250A	1.5SMC250A	250A	250C	214.0	237.0	263.0	1.0	344.0	4.4	1.0
1.5SMC300A	1.5SMC300A	300A	300C	256.0	285.0	315.0	1.0	414.0	3.7	1.0
1.5SMC350A	1.5SMC350A	350A	350C	300.0	332.0	368.0	1.0	482.0	3.2	1.0
1.5SMC400A	1.5SMC400A	400A	400C	342.0	380.0	420.0	1.0	548.0	2.8	1.0
1.5SMC440A	1.5SMC440A	440A	440C	376.0	418.0	462.0	1.0	602.0	2.5	1.0
1.5SMC480A	1.5SMC480A	480A	480C	408.0	456.0	504.0	1.0	658.0	2.3	1.0

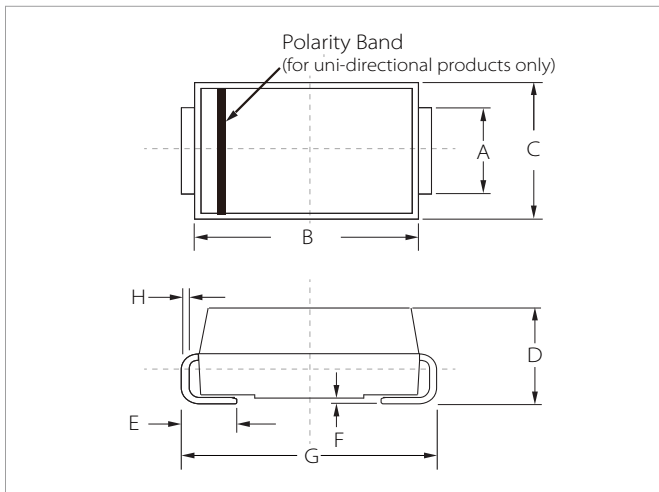
Part Number		Device Marking Code		Reverse Stand-off Voltage	Breakdown Voltage Min.@I _T	Breakdown Voltage Max.@I _T	Test Current	Maximum Clamping Voltage @I _{PP}	Peak Pulse Current	Reverse Leakage @V _{RWM}
Uni-Polar	Bi-Polar	Uni	Bi	V _{RWM} (V)	V _{BR} (V)	V _{BR} (V)	I _T (mA)	V _C (V)	I _{PP} (A)	I _R (uA)
1.5SMC510A	1.5SMC510A	510A	510C	434.0	485.0	535.0	1.0	698.0	2.1	1.0
1.5SMC530A	1.5SMC530A	530A	530C	451.0	503.0	557.0	1.0	725.0	2.1	1.0
1.5SMC540A	1.5SMC540A	540A	540C	459.0	513.0	567.0	1.0	740.0	2.0	1.0
1.5SMC550A	1.5SMC550A	550A	550C	467.0	522.0	578.0	1.0	760.0	2.0	1.0
1.5SMC600A	1.5SMC600A	600A	600C	510.0	570.0	630.0	1.0	828.0	1.8	1.0

FEATURES

- | Low profile package
- | Ideal for automated placement
- | 3000 Watt peak pulse power capability with a 10/1000µs waveform
- | For surface mounted applications to optimize board space
- | Excellent clamping capability
- | Very fast response time
- | Low incremental surge resistance


Uni-directional

Bi-directional

DO-214AB(SMC) PACKAGE INFORMATION



Ref.	Millimeters		Inches	
	Min.	Max.	Min.	Max.
A	2.80	3.20	0.110	0.126
B	6.60	7.20	0.260	0.283
C	5.70	6.10	0.224	0.240
D	2.15	2.75	0.085	0.108
E	1.00	1.60	0.039	0.063
F	0.02	0.20	0.000	0.008
G	7.60	8.00	0.299	0.315
H	0.15	0.30	0.006	0.012

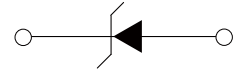
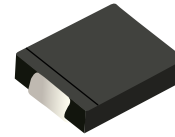
Part Number		Device Marking Code		Reverse Stand-off Voltage	Breakdown Voltage Min.@I _T	Breakdown Voltage Max.@I _T	Test Current	Maximum Clamping Voltage @I _{PP}	Peak Pulse Current	Reverse Leakage @V _{RWM}
Uni-Polar	Bi-Polar	Uni	Bi	V _{RWM} (V)	V _{BR} (V)	V _{BR} (V)	I _T (mA)	V _C (V)	I _{PP} (A)	I _R (µA)
SMDJ5.0A	SMDJ5.0CA	RDE	DDE	5.0	6.4	7.0	10	9.2	326.1	800
SMDJ6.0A	SMDJ6.0CA	RDG	DDG	6.0	6.67	7.37	10	10.3	291.3	800
SMDJ6.5A	SMDJ6.5CA	RDK	DDK	6.5	7.22	7.98	10	11.2	267.9	500
SMDJ7.0A	SMDJ7.0CA	PDM	DDM	7.0	7.78	8.60	10	12.0	250.0	200
SMDJ7.5A	SMDJ7.5CA	PDP	DDP	7.5	8.33	9.21	1	12.9	232.6	100
SMDJ8.0A	SMDJ8.0CA	PDR	DDR	8.0	8.89	9.83	1	13.6	220.6	50
SMDJ8.5A	SMDJ8.5CA	PDT	DDT	8.5	9.44	10.4	1	14.4	208.3	20
SMDJ9.0A	SMDJ9.0CA	PDV	DDV	9.0	10.0	11.1	1	15.4	194.8	10
SMDJ10A	SMDJ10CA	PDX	DDX	10.0	11.1	12.3	1	17.0	176.5	5

Part Number		Device Marking Code		Reverse Stand-off Voltage	Breakdown Voltage Min.@I _T	Breakdown Voltage Max.@I _T	Test Current	Maximum Clamping Voltage @I _{PP}	Peak Pulse Current	Reverse Leakage @V _{RWM}
Uni-Polar	Bi-Polar	Uni	Bi	V _{RWM} (V)	V _{BR} (V)	V _{BR} (V)	I _T (mA)	V _C (V)	I _{PP} (A)	I _R (μ A)
SMDJ11A	SMDJ11CA	PDZ	DDZ	11.0	12.2	13.5	1	18.2	164.8	2
SMDJ12A	SMDJ12CA	PEE	DEE	12.0	13.3	14.7	1	19.9	150.8	2
SMDJ13A	SMDJ13CA	PEG	DEG	13.0	14.4	15.9	1	21.5	139.5	2
SMDJ14A	SMDJ14CA	PEK	DEK	14.0	15.6	17.2	1	23.2	129.3	2
SMDJ15A	SMDJ15CA	PEM	DEM	15.0	16.7	18.5	1	24.4	123.0	2
SMDJ16A	SMDJ16CA	PEP	DEP	16.0	17.8	19.7	1	26.0	115.4	2
SMDJ17A	SMDJ17CA	PER	DER	17.0	18.9	20.9	1	27.6	108.7	2
SMDJ18A	SMDJ18CA	PET	DET	18.0	20.0	22.1	1	29.2	102.7	2
SMDJ20A	SMDJ20CA	PEV	DEV	20.0	22.2	24.5	1	32.4	92.6	2
SMDJ22A	SMDJ22CA	PEX	DEX	22.0	24.4	26.9	1	35.5	84.5	2
SMDJ24A	SMDJ24CA	PEZ	DEZ	24.0	26.7	29.5	1	38.9	77.1	2
SMDJ26A	SMDJ26CA	PFE	DFE	26.0	28.9	31.9	1	42.1	71.3	2
SMDJ28A	SMDJ28CA	PFG	DFG	28.0	31.1	34.4	1	45.4	66.1	2
SMDJ30A	SMDJ30CA	PFK	DFK	30.0	33.3	36.8	1	48.4	62.0	2
SMDJ33A	SMDJ33CA	PFM	DFM	33.0	36.7	40.6	1	53.3	56.3	2
SMDJ36A	SMDJ36CA	PFP	DFP	36.0	40.0	44.2	1	58.1	51.6	2
SMDJ40A	SMDJ40CA	PFR	DFR	40.0	44.4	49.1	1	64.5	46.5	2
SMDJ43A	SMDJ43CA	PFT	DFT	43.0	47.8	52.8	1	69.4	43.2	2
SMDJ45A	SMDJ45CA	PFV	DFV	45.0	50.0	55.3	1	72.7	41.3	2
SMDJ48A	SMDJ48CA	PFX	DFX	48.0	53.3	58.9	1	77.4	38.8	2
SMDJ51A	SMDJ51CA	PFZ	DFZ	51.0	56.7	62.7	1	82.4	36.4	2
SMDJ54A	SMDJ54CA	RGE	DGE	54.0	60.0	66.3	1	87.1	34.4	2
SMDJ58A	SMDJ58CA	PGG	DGG	58.0	64.4	71.2	1	93.6	32.1	2
SMDJ60A	SMDJ60CA	PGK	DGK	60.0	66.7	73.7	1	96.8	31.0	2
SMDJ64A	SMDJ64CA	PGM	DGM	64.0	71.1	78.6	1	103.0	29.1	2
SMDJ70A	SMDJ70CA	PGP	DGP	70.0	77.8	86.0	1	113.0	26.5	2
SMDJ75A	SMDJ75CA	PGR	DGR	75.0	83.3	92.1	1	121.0	24.8	2
SMDJ78A	SMDJ78CA	PGT	DGT	78.0	86.7	95.8	1	126.0	23.8	2
SMDJ85A	SMDJ85CA	PGV	DGV	85.0	94.4	104.0	1	137.0	21.9	2
SMDJ90A	SMDJ90CA	PGX	DGX	90.0	100.0	111.0	1	146.0	20.5	2
SMDJ100A	SMDJ100CA	PGZ	DGZ	100.0	111.0	123.0	1	162.0	18.5	2
SMDJ110A	SMDJ110CA	PHE	DHE	110.0	122.0	135.0	1	177.0	16.9	2
SMDJ120A	SMDJ120CA	PHG	DHG	120.0	133.0	147.0	1	193.0	15.5	2
SMDJ130A	SMDJ130CA	PHK	DHK	130.0	144.0	159.0	1	209.0	14.4	2

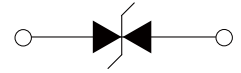
Part Number		Device Marking Code		Reverse Stand-off Voltage	Breakdown Voltage Min.@I _T	Breakdown Voltage Max.@I _T	Test Current	Maximum Clamping Voltage @I _{PP}	Peak Pulse Current	Reverse Leakage @V _{RWM}
Uni-Polar	Bi-Polar	Uni	Bi	V _{RWM} (V)	V _{BR} (V)	V _{BR} (V)	I _T (mA)	V _C (V)	I _{PP} (A)	I _R (uA)
SMDJ150A	SMDJ150CA	PHM	DHM	150.0	167.0	185.0	1	243.0	12.3	2
SMDJ160A	SMDJ160CA	PHP	DHP	160.0	178.0	197.0	1	259.0	11.6	2
SMDJ170A	SMDJ170CA	PHR	DHR	170.0	189.0	209.0	1	275.0	10.9	2
SMDJ180A	SMDJ180CA	PHT	DHT	180.0	201.0	222.0	1	292.0	10.3	2
SMDJ190A	SMDJ190CA	PHU	DHU	190.0	209.0	243.0	1	308.0	9.7	2
SMDJ200A	SMDJ200CA	PHV	DHV	200.0	224.0	247.0	1	324.0	9.3	2
SMDJ210A	SMDJ210CA	PHW	DHW	210.0	231.0	269.0	1	340.0	8.8	2
SMDJ220A	SMDJ220CA	PKE	DKE	220.0	246.0	272.0	1	356.0	8.4	2
SMDJ250A	SMDJ250CA	PKG	DKG	250.0	279.0	309.0	1	405.0	7.4	2
SMDJ300A	SMDJ300CA	PKK	DKK	300.0	335.0	371.0	1	486.0	6.2	2
SMDJ350A	SMDJ350CA	PKM	DKM	350.0	391.0	432.0	1	567.0	5.3	2
SMDJ400A	SMDJ400CA	PKP	DKP	400.0	447.0	494.0	1	648.0	4.6	2
SMDJ440A	SMDJ440CA	PKR	DKR	440.0	492.0	543.0	1	713.0	4.2	2

FEATURES

- | Low profile package
- | Ideal for automated placement
- | 5000 Watt peak pulse power capability with a 10/1000 μ s waveform
- | For surface mounted applications to optimize board space
- | Excellent clamping capability
- | Very fast response time
- | Low incremental surge resistance

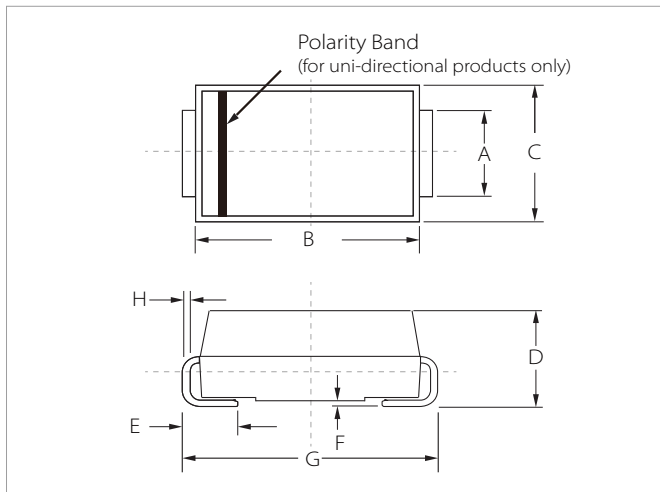


Uni-directional



Bi-directional

DO-214AB(SMC) PACKAGE INFORMATION



Ref.	Millimeters		Inches	
	Min.	Max.	Min.	Max.
A	2.80	3.20	0.110	0.126
B	6.60	7.20	0.260	0.283
C	5.70	6.10	0.224	0.240
D	2.15	2.75	0.085	0.108
E	1.00	1.60	0.039	0.063
F	0.02	0.20	0.000	0.008
G	7.60	8.00	0.299	0.315
H	0.15	0.30	0.006	0.012

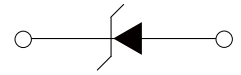
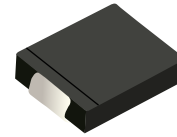
Part Number		Device Marking Code		Reverse Stand-off Voltage	Breakdown Voltage Min.@I _T	Breakdown Voltage Max.@I _T	Test Current	Maximum Clamping Voltage @I _{PP}	Peak Pulse Current	Reverse Leakage @V _{RWM}
Uni-Polar	Bi-Polar	Uni	Bi	V _{RWM} (V)	V _{BR} (V)	V _{BR} (V)	I _T (mA)	V _C (V)	I _{PP} (A)	I _R (uA)
5.0SMDJ11A	5.0SMDJ11CA	5PEN	5BEN	11.0	12.20	13.50	10	18.2	275.0	800
5.0SMDJ12A	5.0SMDJ12CA	5PEP	5BEP	12.0	13.20	14.70	10	19.9	252.0	800
5.0SMDJ13A	5.0SMDJ13CA	5PEQ	5BEQ	13.0	14.40	15.90	10	21.5	233.0	500
5.0SMDJ14A	5.0SMDJ14CA	5PER	5BER	14.0	15.60	17.20	10	23.2	216.0	200
5.0SMDJ15A	5.0SMDJ15CA	5PES	5BES	15.0	16.70	18.50	1	24.4	205.0	100
5.0SMDJ16A	5.0SMDJ16CA	5PET	5BET	16.0	17.80	19.70	1	26.0	193.0	50
5.0SMDJ17A	5.0SMDJ17CA	5PEU	5BEU	17.0	18.90	20.90	1	27.6	181.0	20
5.0SMDJ18A	5.0SMDJ18CA	5PEV	5BEV	18.0	20.00	22.10	1	29.2	172.0	10
5.0SMDJ20A	5.0SMDJ20CA	5PEW	5BEW	20.0	22.20	24.50	1	32.4	155.0	5

Part Number		Device Marking Code		Reverse Stand-off Voltage	Breakdown Voltage Min.@I _T	Breakdown Voltage Max.@I _T	Test Current	Maximum Clamping Voltage @I _{PP}	Peak Pulse Current	Reverse Leakage @V _{RWM}
Uni-Polar	Bi-Polar	Uni	Bi	V _{RWM} (V)	V _{BR} (V)	V _{BR} (V)	I _T (mA)	V _C (V)	I _{PP} (A)	I _R (uA)
5.0SMDJ22A	5.0SMDJ22CA	5PEX	5BEX	22.0	24.40	26.90	1	35.5	141.0	5
5.0SMDJ24A	5.0SMDJ24CA	5PEZ	5BEZ	24.0	26.70	29.50	1	38.9	129.0	5
5.0SMDJ26A	5.0SMDJ26CA	5PFE	5BFE	26.0	28.90	31.90	1	42.1	119.0	5
5.0SMDJ28A	5.0SMDJ28CA	5PFG	5BFG	28.0	31.10	34.40	1	45.4	110.0	5
5.0SMDJ30A	5.0SMDJ30CA	5PFK	5BFK	30.0	33.30	36.80	1	48.4	103.0	5
5.0SMDJ33A	5.0SMDJ33CA	5PFM	5BFM	33.0	36.70	40.60	1	53.3	93.9	5
5.0SMDJ36A	5.0SMDJ36CA	5PFP	5BFP	36.0	40.00	44.20	1	58.1	86.1	5
5.0SMDJ40A	5.0SMDJ40CA	5PFR	5BFR	40.0	44.40	49.10	1	64.5	77.6	5
5.0SMDJ43A	5.0SMDJ43CA	5PFT	5BFT	43.0	47.80	52.80	1	69.4	72.1	5
5.0SMDJ45A	5.0SMDJ45CA	5PFV	5BFV	45.0	50.00	55.30	1	72.7	68.8	5
5.0SMDJ48A	5.0SMDJ48CA	5PFX	5BFX	48.0	53.30	58.90	1	77.4	64.7	5
5.0SMDJ51A	5.0SMDJ51CA	5PFZ	5BFZ	51.0	56.70	62.70	1	82.4	60.7	5
5.0SMDJ54A	5.0SMDJ54CA	5PGE	5BGE	54.0	60.00	66.30	1	87.1	57.5	5
5.0SMDJ58A	5.0SMDJ58CA	5PGG	5BGG	58.0	64.40	71.20	1	93.6	53.5	5
5.0SMDJ60A	5.0SMDJ60CA	5PGK	5BGK	60.0	66.70	73.70	1	96.8	51.7	5
5.0SMDJ64A	5.0SMDJ64CA	5PGM	5BGM	64.0	71.10	78.60	1	103.0	48.6	5
5.0SMDJ70A	5.0SMDJ70CA	5PGP	5BGP	70.0	77.80	86.00	1	113.0	44.3	5
5.0SMDJ75A	5.0SMDJ75CA	5PGR	5BGR	75.0	83.30	92.10	1	121.0	41.4	5
5.0SMDJ78A	5.0SMDJ78CA	5PGT	5BGT	78.0	86.70	95.80	1	126.0	39.7	5
5.0SMDJ85A	5.0SMDJ85CA	5PGV	5BGV	85.0	94.40	104.00	1	137.0	36.5	5
5.0SMDJ90A	5.0SMDJ90CA	5PGX	5BGX	90.0	100.00	111.00	1	146.0	34.3	5
5.0SMDJ100A	5.0SMDJ100CA	5PGZ	5BGZ	100.0	111.00	123.00	1	162.0	30.9	5
5.0SMDJ110A	5.0SMDJ110CA	5PHE	5BHE	110.0	122.00	135.00	1	177.0	28.3	5
5.0SMDJ120A	5.0SMDJ120CA	5PHG	5BHG	120.0	133.00	147.00	1	193.0	26.0	5
5.0SMDJ130A	5.0SMDJ130CA	5PHK	5BHK	130.0	144.00	159.00	1	209.0	24.0	5
5.0SMDJ150A	5.0SMDJ150CA	5PHM	5BHM	150.0	155.00	171.00	1	226.8	22.3	5
5.0SMDJ160A	5.0SMDJ160CA	5PHP	5BHP	160.0	167.00	185.00	1	243.0	20.8	5
5.0SMDJ170A	5.0SMDJ170CA	5PHR	5BHR	170.0	178.00	197.00	1	259.0	19.5	5
5.0SMDJ180A	5.0SMDJ180CA	5PHT	5BHT	180.0	189.00	209.00	1	275.0	18.4	5
5.0SMDJ190A	5.0SMDJ190CA	5PHV	5DHV	190.0	200.00	220.00	1	291.6	17.3	5
5.0SMDJ200A	5.0SMDJ200CA	5PHX	5DHX	200.0	211.00	232.00	1	307.8	16.4	5
5.0SMDJ210A	5.0SMDJ210CA	5PHZ	5DHZ	210.0	224.00	247.00	1	324.0	15.6	5
5.0SMDJ220A	5.0SMDJ220CA	5PIE	5DIE	220.0	246.00	272.00	1	356.0	14.2	5
5.0SMDJ250A	5.0SMDJ250CA	5PIG	5DIG	250.0	279.00	309.00	1	405.0	12.5	5

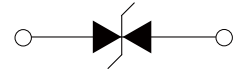
Part Number		Device Marking Code		Reverse Stand-off Voltage	Breakdown Voltage Min.@I _T	Breakdown Voltage Max.@I _T	Test Current	Maximum Clamping Voltage @I _{PP}	Peak Pulse Current	Reverse Leakage @V _{RWM}
Uni-Polar	Bi-Polar	Uni	Bi	V _{RWM} (V)	V _{BR} (V)	V _{BR} (V)	I _T (mA)	V _C (V)	I _{PP} (A)	I _R (uA)
5.0SMDJ300A	5.0SMDJ300CA	5PIK	5DIK	300.0	335.00	371.00	1	486.0	10.4	5
5.0SMDJ350A	5.0SMDJ350CA	5PIM	5DIM	350.0	391.00	432.00	1	567.0	8.9	5
5.0SMDJ400A	5.0SMDJ400CA	5PIP	5DIP	400.0	447.00	494.00	1	648.0	7.8	5

FEATURES

- | Low profile package
- | Ideal for automated placement
- | 5000 Watt peak pulse power capability with a 10/1000 μ s waveform
- | For surface mounted applications to optimize board space
- | Excellent clamping capability
- | Very fast response time
- | Low incremental surge resistance

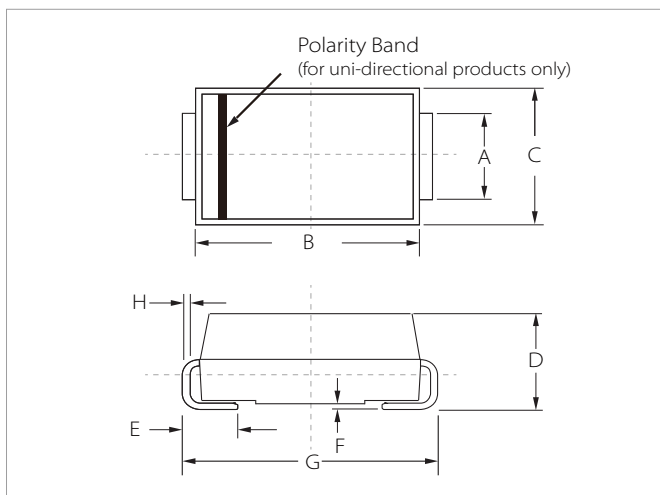


Uni-directional



Bi-directional

DO-214AB(SMC) PACKAGE INFORMATION



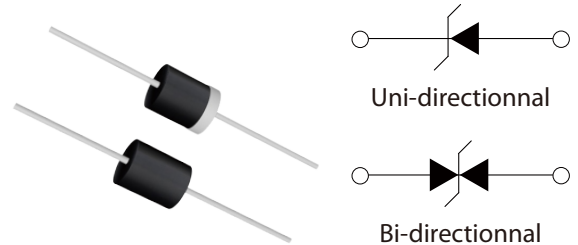
Ref.	Millimeters		Inches	
	Min.	Max.	Min.	Max.
A	2.80	3.20	0.110	0.126
B	6.60	7.20	0.260	0.283
C	5.70	6.10	0.224	0.240
D	2.15	2.75	0.085	0.108
E	1.00	1.60	0.039	0.063
F	0.02	0.20	0.000	0.008
G	7.60	8.00	0.299	0.315
H	0.15	0.30	0.006	0.012

Part Number		Device Marking Code		Reverse Stand-off Voltage	Breakdown Voltage Min.@I _T	Breakdown Voltage Max.@I _T	Test Current	Maximum Clamping Voltage @I _{PP}	Peak Pulse Current	Reverse Leakage @V _{RWM}
Uni-Polar	Bi-Polar	Uni	Bi	V _{RWM} (V)	V _{BR} (V)	V _{BR} (V)	I _T (mA)	V _C (V)	I _{PP} (A)	I _R (uA)
8.0SMDJ14A	8.0SMDJ14CA	8PER	8BER	14.0	15.60	17.20	10	23.2	348.28	200
8.0SMDJ15A	8.0SMDJ15CA	8PES	8BES	15.0	16.70	18.50	1	24.4	331.15	100
8.0SMDJ16A	8.0SMDJ16CA	8PET	8BET	16.0	17.80	19.70	1	26.0	310.77	50
8.0SMDJ17A	8.0SMDJ17CA	8PEU	8BEU	17.0	18.90	20.90	1	27.6	292.75	20
8.0SMDJ18A	8.0SMDJ18CA	8PEV	8BEV	18.0	20.00	22.10	1	29.2	276.71	10
8.0SMDJ20A	8.0SMDJ20CA	8PEW	8BEW	20.0	22.20	24.50	1	32.4	249.38	5
8.0SMDJ22A	8.0SMDJ22CA	8PEX	8BEX	22.0	24.40	26.90	1	35.5	227.61	5
8.0SMDJ24A	8.0SMDJ24CA	8PEZ	8BEZ	24.0	26.70	29.50	1	38.9	207.71	5
8.0SMDJ26A	8.0SMDJ26CA	8PFE	8BFE	26.0	28.90	31.90	1	42.1	191.92	5

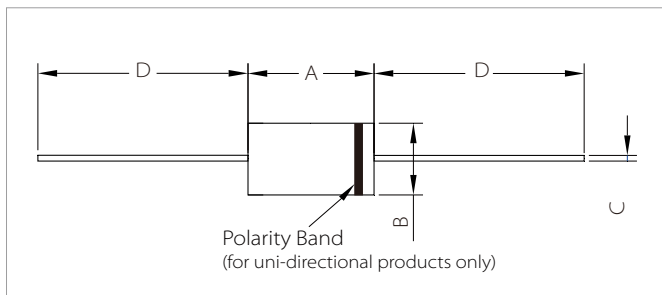
Part Number		Device Marking Code		Reverse Stand-off Voltage	Breakdown Voltage Min.@I _T	Breakdown Voltage Max.@I _T	Test Current	Maximum Clamping Voltage @I _{PP}	Peak Pulse Current	Reverse Leakage @V _{RWM}
Uni-Polar	Bi-Polar	Uni	Bi	V _{RWM} (V)	V _{BR} (V)	V _{BR} (V)	I _T (mA)	V _C (V)	I _{PP} (A)	I _R (uA)
8.0SMDJ28A	8.0SMDJ28CA	8PFG	8BFG	28.0	31.10	34.40	1	45.4	177.97	5
8.0SMDJ30A	8.0SMDJ30CA	8PFK	8BFK	30.0	33.30	36.80	1	48.4	166.94	5
8.0SMDJ33A	8.0SMDJ33CA	8PFM	8BFM	33.0	36.70	40.60	1	53.3	151.59	5
8.0SMDJ36A	8.0SMDJ36CA	8PFP	8BFP	36.0	40.00	44.20	1	58.1	139.07	5
8.0SMDJ40A	8.0SMDJ40CA	8PFR	8BFR	40.0	44.40	49.10	1	64.5	125.27	5
8.0SMDJ43A	8.0SMDJ43CA	8PFT	8BFT	43.0	47.80	52.80	1	69.4	116.43	5
8.0SMDJ45A	8.0SMDJ45CA	8PFV	8BFV	45.0	50.00	55.30	1	72.7	111.14	5
8.0SMDJ48A	8.0SMDJ48CA	8PFX	8BFX	48.0	53.30	58.90	1	77.4	104.39	5
8.0SMDJ51A	8.0SMDJ51CA	8PFZ	8BFZ	51.0	56.70	62.70	1	82.4	98.06	5
8.0SMDJ54A	8.0SMDJ54CA	8PGE	8BGE	54.0	60.00	66.30	1	87.1	92.77	5
8.0SMDJ58A	8.0SMDJ58CA	8PGG	8BGG	58.0	64.40	71.20	1	93.6	86.32	5
8.0SMDJ60A	8.0SMDJ60CA	8PGK	8BGK	60.0	66.70	73.70	1	96.8	83.47	5
8.0SMDJ64A	8.0SMDJ64CA	8PGM	8BGM	64.0	71.10	78.60	1	103.0	78.45	5
8.0SMDJ70A	8.0SMDJ70CA	8PGP	8BGP	70.0	77.80	86.00	1	113.0	71.50	5
8.0SMDJ75A	8.0SMDJ75CA	8PGR	8BGR	75.0	83.30	92.10	1	121.0	66.78	5
8.0SMDJ78A	8.0SMDJ78CA	8PGT	8BGT	78.0	86.70	95.80	1	126.0	64.13	5
8.0SMDJ85A	8.0SMDJ85CA	8PGV	8BGV	85.0	94.40	104.00	1	137.0	58.98	5

FEATURES

- | Plastic package
- | Glass passivated chip junction in DO-204AL/DO-41 Package
- | 400W peak pulse power capability on 10/1000us waveform
- | Excellent clamping capability
- | Low zener impedance
- | Fast response time: typically less than 1.0ps from 0 Volts to BV min
- | Typical IR less than 1uA above 12V



DO-41 PACKAGE INFORMATION



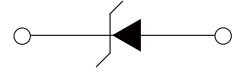
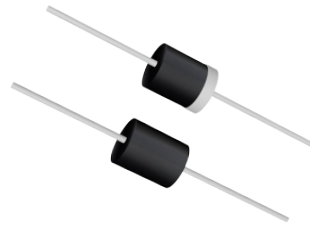
Ref.	Millimeters		Inches	
	Min.	Max.	Min.	Max.
A	4.10	5.20	0.160	0.205
B	2.00	2.70	0.080	0.107
C	0.71	0.86	0.028	0.034
D	25.40		1.000	

Part Number		Device Marking Code		Reverse Stand-off Voltage	Breakdown Voltage Min.@I _T	Breakdown Voltage Max.@I _T	Test Current	Maximum Clamping Voltage @I _{PP}	Peak Pulse Current	Reverse Leakage @V _{RWM}
Uni-Polar	Bi-Polar	Uni	Bi	V _{RWM} (V)	V _{BR} (V)	V _{BR} (V)	I _T (mA)	V _C (V)	I _{PP} (A)	I _R (uA)
P4KE6.8A	P4KE6.8CA	P4KE6.8A	P4KE6.8CA	5.8	6.45	7.14	10.0	10.5	39.0	1000.0
P4KE7.5A	P4KE7.5CA	P4KE7.5A	P4KE7.5CA	6.4	7.13	7.88	10.0	11.3	36.3	500.0
P4KE8.2A	P4KE8.2CA	P4KE8.2A	P4KE8.2CA	7.02	7.79	8.61	10.0	12.1	33.9	200.0
P4KE9.1A	P4KE9.1CA	P4KE9.1A	P4KE9.1CA	7.78	8.65	9.55	1.0	13.4	30.6	50.0
P4KE10A	P4KE10CA	P4KE10A	P4KE10CA	8.55	9.5	10.5	1.0	14.5	28.3	10.0
P4KE11A	P4KE11CA	P4KE11A	P4KE11CA	9.4	10.5	11.6	1.0	15.6	26.3	5.0
P4KE12A	P4KE12CA	P4KE12A	P4KE12CA	10.2	11.4	12.6	1.0	16.7	24.6	5.0
P4KE13A	P4KE13CA	P4KE13A	P4KE13CA	11.1	12.4	13.7	1.0	18.2	22.5	1.0
P4KE15A	P4KE15CA	P4KE15A	P4KE15CA	12.8	14.3	15.8	1.0	21.2	19.3	1.0
P4KE16A	P4KE16CA	P4KE16A	P4KE16CA	13.6	15.2	16.8	1.0	22.5	18.2	1.0
P4KE18A	P4KE18CA	P4KE18A	P4KE18CA	15.3	17.1	18.9	1.0	25.5	16.1	1.0
P4KE20A	P4KE20CA	P4KE20A	P4KE20CA	17.1	19.0	21.0	1.0	27.7	14.8	1.0
P4KE22A	P4KE22CA	P4KE22A	P4KE22CA	18.8	20.9	23.1	1.0	30.6	13.4	1.0

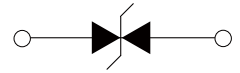
Uni-Polar	Bi-Polar	Uni	Bi	Reverse Stand-off Voltage $V_{RWM}(V)$	Breakdown Voltage Min.@ I_T $V_{BR}(V)$	Breakdown Voltage Max.@ I_T $V_{BR}(V)$	Test Current $I_T(mA)$	Maximum Clamping Voltage @ I_{PP} $V_C(V)$	Peak Pulse Current $I_{PP}(A)$	Reverse Leakage @ V_{RWM} $I_R(\mu A)$
P4KE24A	P4KE24CA	P4KE24A	P4KE24CA	20.5	22.8	25.2	1.0	33.2	12.3	1.0
P4KE27A	P4KE27CA	P4KE27A	P4KE27CA	23.1	25.7	28.4	1.0	37.5	10.9	1.0
P4KE30A	P4KE30CA	P4KE30A	P4KE30CA	25.6	28.5	31.5	1.0	41.4	9.9	1.0
P4KE33A	P4KE33CA	P4KE33A	P4KE33CA	28.2	31.4	34.7	1.0	45.7	9.0	1.0
P4KE36A	P4KE36CA	P4KE36A	P4KE36CA	30.8	34.2	37.8	1.0	49.9	8.2	1.0
P4KE39A	P4KE39CA	P4KE39A	P4KE39CA	33.3	37.1	41.0	1.0	53.9	7.6	1.0
P4KE43A	P4KE43CA	P4KE43A	P4KE43CA	36.8	40.9	45.2	1.0	59.3	6.9	1.0
P4KE47A	P4KE47CA	P4KE47A	P4KE47CA	40.2	44.7	49.4	1.0	64.8	6.3	1.0
P4KE51A	P4KE51CA	P4KE51A	P4KE51CA	43.6	48.5	53.6	1.0	70.1	5.8	1.0
P4KE56A	P4KE56CA	P4KE56A	P4KE56CA	47.8	53.2	58.8	1.0	77.0	5.3	1.0
P4KE62A	P4KE62CA	P4KE62A	P4KE62CA	53.0	58.9	65.1	1.0	85.0	7.2	1.0
P4KE68A	P4KE68CA	P4KE68A	P4KE68CA	58.1	64.6	71.4	1.0	92.0	4.5	1.0
P4KE75A	P4KE75CA	P4KE75A	P4KE75CA	64.1	71.3	78.8	1.0	103.0	4.0	1.0
P4KE82A	P4KE82CA	P4KE82A	P4KE82CA	70.1	77.9	86.1	1.0	113.0	3.6	1.0
P4KE91A	P4KE91CA	P4KE91A	P4KE91CA	77.8	86.5	95.5	1.0	125.0	3.3	1.0
P4KE100A	P4KE100CA	P4KE100A	P4KE100CA	85.5	95.0	105.0	1.0	137.0	3.0	1.0
P4KE110A	P4KE110CA	P4KE110A	P4KE110CA	94.0	105.0	116.0	1.0	152.0	2.7	1.0
P4KE120A	P4KE120CA	P4KE120A	P4KE120CA	102.0	114.0	126.0	1.0	165.0	2.5	1.0
P4KE130A	P4KE130CA	P4KE130A	P4KE130CA	111.0	124.0	137.0	1.0	179.0	2.3	1.0
P4KE150A	P4KE150CA	P4KE150A	P4KE150CA	128.0	143.0	158.0	1.0	207.0	2.0	1.0
P4KE160A	P4KE160CA	P4KE160A	P4KE160CA	136.0	152.0	168.0	1.0	219.0	1.9	1.0
P4KE170A	P4KE170CA	P4KE170A	P4KE170CA	145.0	162.0	179.0	1.0	234.0	1.8	1.0
P4KE180A	P4KE180CA	P4KE180A	P4KE180CA	154.0	171.0	189.0	1.0	246.0	1.7	1.0
P4KE200A	P4KE200CA	P4KE200A	P4KE200CA	171.0	190.0	210.0	1.0	274.0	1.5	1.0
P4KE220A	P4KE220CA	P4KE220A	P4KE220CA	185.0	209.0	231.0	1.0	328.0	1.3	1.0
P4KE250A	P4KE250CA	P4KE250A	P4KE250CA	214.0	237.0	263.0	1.0	344.0	1.2	1.0
P4KE300A	P4KE300CA	P4KE300A	P4KE300CA	256.0	285.0	315.0	1.0	414.0	1.0	1.0
P4KE350A	P4KE350CA	P4KE350A	P4KE350CA	300.0	332.0	368.0	1.0	482.0	0.85	1.0
P4KE400A	P4KE400CA	P4KE400A	P4KE400CA	342.0	380.0	420.0	1.0	548.0	0.75	1.0
P4KE440A	P4KE440CA	P4KE440A	P4KE440CA	376.0	418.0	462.0	1.0	602.0	0.68	1.0
P4KE480A	P4KE480CA	P4KE480A	P4KE480CA	408.0	456.0	504.0	1.0	658.0	0.61	1.0
P4KE510A	P4KE510CA	P4KE510A	P4KE510CA	434.0	485.0	535.0	1.0	698.0	0.57	1.0
P4KE530A	P4KE530CA	P4KE530A	P4KE530CA	477.0	503.5	556.5	1.0	725.0	0.55	1.0
P4KE540A	P4KE540CA	P4KE540A	P4KE540CA	459.0	513.0	567.0	1.0	740.0	0.54	1.0
P4KE550A	P4KE550CA	P4KE550A	P4KE550CA	495.0	522.5	577.5	1.0	760.0	0.52	1.0

FEATURES

- | Plastic package
- | Glass passivated chip junction in DO-15 Package
- | 500W peak pulse power capability on 10/1000us waveform
- | Excellent clamping capability
- | Low zener impedance
- | Fast response time: typically less than 1.0ps from 0 Volts to BV min
- | Typical IR less than 1uA above 11V
- | Polarity: Color band denoted cathode except bidirectional
- | Mounting Position: Any

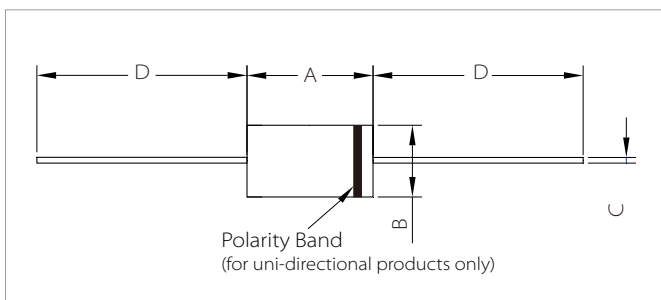


Uni-directional



Bi-directional

DO-15 PACKAGE INFORMATION



Ref.	Millimeters		Inches	
	Min.	Max.	Min.	Max.
A	5.80	7.60	0.230	0.300
B	2.60	3.60	0.104	0.140
C	0.70	0.90	0.026	0.034
D	25.40	-	1.000	-

Part Number		Marking Code		V_R	$V_{BR}@I_T$		I_T	$V_C@I_{PP}$	$I_{PP}^{(1)}$	$I_R@V_R$
Uni-Polar	Bi-Polar	Uni-Polar	Bi-Polar	V	Min(V)	Max(V)	mA	V	A	Max(μ A)
SA5.0A	SA5.0CA	SA5.0A	SA5.0CA	5.0	6.4	7.00	10	9.2	55.4	600
SA6.0A	SA6.0CA	SA6.0A	SA6.0CA	6.0	6.67	7.37	10	10.3	49.5	600
SA6.5A	SA6.5CA	SA6.5A	SA6.5CA	6.5	7.22	7.98	10	11.2	45.5	400
SA7.0A	SA7.0CA	SA7.0A	SA7.0CA	7.0	7.78	8.60	10	12.0	42.5	150
SA7.5A	SA7.5CA	SA7.5A	SA7.5CA	7.5	8.33	9.21	1	12.9	39.5	50
SA8.0A	SA8.0CA	SA8.0A	SA8.0CA	8.0	8.89	9.83	1	13.6	37.5	25
SA8.5A	SA8.5CA	SA8.5A	SA8.5CA	8.5	9.44	10.40	1	14.4	35.4	10
SA9.0A	SA9.0CA	SA9.0A	SA9.0CA	9.0	10.00	11.10	1	15.4	33.1	5
SA10A	SA10CA	SA10A	SA10CA	10.0	11.10	12.30	1	17.0	30.0	3
SA11A	SA11CA	SA11A	SA11CA	11.0	12.20	13.50	1	18.2	28.0	1

Part Number		Marking Code		V_R	$V_{BR}@I_T$		I_T	$V_C@I_{PP}$	$I_{PP}^{\text{①}}$	$I_R@V_R$
Uni-Polar	Bi-Polar	Uni-Polar	Bi-Polar	V	Min(V)	Max (V)	mA	V	A	Max(μA)
SA12A	SA12CA	SA12A	SA12CA	12.0	13.30	14.70	1	19.9	25.6	1
SA13A	SA13CA	SA13A	SA13CA	13.0	14.40	15.90	1	21.5	23.7	1
SA14A	SA14CA	SA14A	SA14CA	14.0	15.60	17.20	1	23.2	22.0	1
SA15A	SA15CA	SA15A	SA15CA	15.0	16.70	18.50	1	24.4	20.9	1
SA16A	SA16CA	SA16A	SA16CA	16.0	17.80	19.70	1	26.0	19.6	1
SA17A	SA17CA	SA17A	SA17CA	17.0	18.90	20.90	1	27.6	18.5	1
SA18A	SA18CA	SA18A	SA18CA	18.0	20.00	22.10	1	29.2	17.5	1
SA20A	SA20CA	SA20A	SA20CA	20.0	22.20	24.50	1	32.4	15.7	1
SA22A	SA22CA	SA22A	SA22CA	22.0	24.40	26.90	1	35.5	14.4	1
SA24A	SA24CA	SA24A	SA24CA	24.0	26.70	29.50	1	38.9	13.1	1
SA26A	SA26CA	SA26A	SA26CA	26.0	28.90	31.90	1	42.1	12.1	1
SA28A	SA28CA	SA28A	SA28CA	28.0	31.10	34.40	1	45.4	11.2	1
SA30A	SA30CA	SA30A	SA30CA	30.0	33.30	36.80	1	48.4	10.5	1
SA33A	SA33CA	SA33A	SA33CA	33.0	36.70	40.60	1	53.3	9.6	1
SA36A	SA36CA	SA36A	SA36CA	36.0	40.00	44.20	1	58.1	8.8	1
SA40A	SA40CA	SA40A	SA40CA	40.0	44.40	49.10	1	64.5	7.9	1
SA43A	SA43CA	SA43A	SA43CA	43.0	47.80	52.80	1	69.4	7.3	1
SA45A	SA45CA	SA45A	SA45CA	45.0	50.00	55.30	1	72.7	7.0	1
SA48A	SA48CA	SA48A	SA48CA	48.0	53.30	58.90	1	77.4	6.6	1
SA51A	SA51CA	SA51A	SA51CA	51.0	56.70	62.70	1	82.4	6.2	1
SA54A	SA54CA	SA54A	SA54CA	54.0	60.00	66.30	1	87.1	5.9	1
SA58A	SA58CA	SA58A	SA58CA	58.0	64.40	71.20	1	93.6	5.4	1
SA60A	SA60CA	SA60A	SA60CA	60.0	66.70	73.70	1	96.8	5.3	1
SA64A	SA64CA	SA64A	SA64CA	64.0	71.10	78.60	1	103.0	5.0	1
SA70A	SA70CA	SA70A	SA70CA	70.0	77.80	86.00	1	113.0	4.5	1
SA75A	SA75CA	SA75A	SA75CA	75.0	83.30	92.10	1	121.0	4.2	1
SA78A	SA78CA	SA78A	SA78CA	78.0	86.70	95.80	1	126.0	4.0	1
SA85A	SA85CA	SA85A	SA85CA	85.0	94.40	104.0	1	137.0	3.7	1

Part Number		Marking Code		V_R	$V_{BR}@I_T$		I_T	$V_C@I_{PP}$	I_{PP} ①	$I_R@V_R$
Uni-Polar	Bi-Polar	Uni-Polar	Bi-Polar	V	Min(V)	Max (V)	mA	V	A	Max(μA)
SA90A	SA90CA	SA90A	SA90CA	90.0	100.0	111.0	1	146.0	3.5	1
SA100A	SA100CA	SA100A	SA100CA	100.0	111.0	123.0	1	162.0	3.1	1
SA110A	SA110CA	SA110A	SA110CA	110.0	122.0	135.0	1	177.0	2.9	1
SA120A	SA120CA	SA120A	SA120CA	120.0	133.0	147.0	1	193.0	2.6	1
SA130A	SA130CA	SA130A	SA130CA	130.0	144.0	159.0	1	209.0	2.4	1
SA150A	SA150CA	SA150A	SA150CA	150.0	167.0	185.0	1	243.0	2.1	1
SA160A	SA160CA	SA160A	SA160CA	160.0	178.0	197.0	1	259.0	2.0	1
SA170A	SA170CA	SA170A	SA170CA	170.0	189.0	209.0	1	275.0	1.9	1
SA180A	SA180CA	SA180A	SA180CA	180.0	201.0	222.0	1	292.0	1.7	1
SA190A	SA190CA	SA190A	SA190CA	190.0	211.0	233.0	1	308.0	1.6	1
SA200A	SA200CA	SA200A	SA200CA	200.0	224.0	247.0	1	324.0	1.5	1
SA210A	SA210CA	SA210A	SA210CA	210.0	237.0	263.0	1	340.0	1.5	1
SA220A	SA220CA	SA220A	SA220CA	220.0	246.0	272.0	1	356.0	1.4	1

Note:

①.Surge waveform:10/1000μs

V_R : Stand-off voltage -- Maximum voltage that can be applied

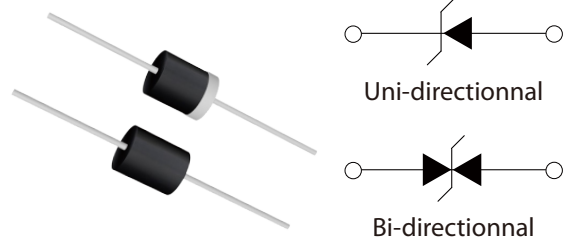
V_{BR} : Breakdown voltage

V_C : Clamping voltage -- Peak voltage measured across the suppressor at a specified I_{PP}

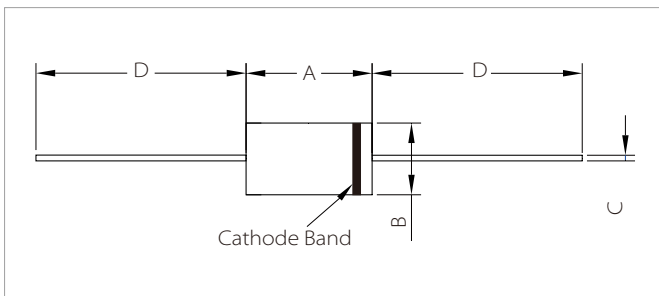
I_R : Reverse leakage current

FEATURES

- | Plastic package
- | Glass passivated chip junction in DO-15 Package
- | 600W peak pulse power capability on 10/1000us waveform
- | Excellent clamping capability
- | Low zener impedance
- | Fast response time: typically less than 1.0ps from 0 Volts to BV min
- | Typical IR less than 1uA above 12V
- | Polarity: Color band denoted cathode except bidirectional
- | Mounting Position: Any



DO-15 PACKAGE INFORMATION



Ref.	Millimeters		Inches	
	Min.	Max.	Min.	Max.
A	5.80	7.60	0.230	0.300
B	2.60	3.60	0.104	0.140
C	0.70	0.90	0.026	0.034
D	25.40	-	1.000	-

Part Number		Device Marking Code		Reverse Stand-off Voltage	Breakdown Voltage Min.@I _T	Breakdown Voltage Max.@I _T	Test Current	Maximum Clamping Voltage @I _{PP}	Peak Pulse Current	Reverse Leakage @V _{RWM}
Uni-Polar	Bi-Polar	Uni	Bi	V _{RWM} (V)	V _{BR} (V)	V _{BR} (V)	I _T (mA)	V _C (V)	I _{PP} (A)	I _R (uA)
P6KE6.8A	P6KE6.8CA	P6KE6.8A	P6KE6.8CA	5.8	6.45	7.14	10	10.5	58.1	1000
P6KE7.5A	P6KE7.5CA	P6KE7.5A	P6KE7.5CA	6.4	7.13	7.88	10	11.3	54.0	500
P6KE8.2A	P6KE8.2CA	P6KE8.2A	P6KE8.2CA	7.02	7.79	8.61	10	12.1	50.4	200
P6KE9.1A	P6KE9.1CA	P6KE9.1A	P6KE9.1CA	7.78	8.65	9.55	1.0	13.4	45.5	50
P6KE10A	P6KE10CA	P6KE10A	P6KE10CA	8.55	9.50	10.5	1.0	14.5	42.1	10
P6KE11A	P6KE11CA	P6KE11A	P6KE11CA	9.4	10.5	11.6	1.0	15.6	39.1	5.0
P6KE12A	P6KE12CA	P6KE12A	P6KE12CA	10.2	11.4	12.6	1.0	16.7	36.5	5.0
P6KE13A	P6KE13CA	P6KE13A	P6KE13CA	11.1	12.4	13.7	1.0	18.2	33.5	1.0
P6KE15A	P6KE15CA	P6KE15A	P6KE15CA	12.8	14.3	15.8	1.0	21.2	28.8	1.0

Part Number		Device Marking Code		Reverse Stand-off Voltage	Breakdown Voltage Min.@I _T	Breakdown Voltage Max.@I _T	Test Current	Maximum Clamping Voltage @I _{PP}	Peak Pulse Current	Reverse Leakage @V _{RWM}
Uni-Polar	Bi-Polar	Uni	Bi	V _{RWM} (V)	V _{BR} (V)	V _{BR} (V)	I _T (mA)	V _C (V)	I _{PP} (A)	I _R (uA)
P6KE16A	P6KE16CA	P6KE16A	P6KE16CA	13.6	15.2	16.8	1.0	22.5	27.1	1.0
P6KE18A	P6KE18CA	P6KE18A	P6KE18CA	15.3	17.2	18.9	1.0	25.5	24.2	1.0
P6KE20A	P6KE20CA	P6KE20A	P6KE20CA	17.1	19.0	21.0	1.0	27.7	22.0	1.0
P6KE22A	P6KE22CA	P6KE22A	P6KE22CA	18.8	20.9	23.1	1.0	30.6	19.9	1.0
P6KE24A	P6KE24CA	P6KE24A	P6KE24CA	20.5	22.8	25.2	1.0	33.2	18.4	1.0
P6KE27A	P6KE27CA	P6KE27A	P6KE27CA	23.1	25.7	28.4	1.0	37.5	16.3	1.0
P6KE30A	P6KE30CA	P6KE30A	P6KE30CA	25.6	28.5	31.5	1.0	41.4	14.7	1.0
P6KE33A	P6KE33CA	P6KE33A	P6KE33CA	28.2	31.4	34.7	1.0	45.7	13.3	1.0
P6KE36A	P6KE36CA	P6KE36A	P6KE36CA	30.8	34.2	37.8	1.0	49.9	12.2	1.0
P6KE39A	P6KE39CA	P6KE39A	P6KE39CA	33.3	37.1	41.0	1.0	53.9	11.3	1.0
P6KE43A	P6KE43CA	P6KE43A	P6KE43CA	36.8	40.9	45.2	1.0	59.3	10.3	1.0
P6KE47A	P6KE47CA	P6KE47A	P6KE47CA	40.2	44.7	49.4	1.0	64.8	9.4	1.0
P6KE51A	P6KE51CA	P6KE51A	P6KE51CA	43.6	48.5	53.6	1.0	70.1	8.7	1.0
P6KE56A	P6KE56CA	P6KE56A	P6KE56CA	47.8	53.2	58.8	1.0	77.0	7.9	1.0
P6KE62A	P6KE62CA	P6KE62A	P6KE62CA	53.0	58.9	65.1	1.0	85.0	7.2	1.0
P6KE68A	P6KE68CA	P6KE68A	P6KE68CA	58.1	64.6	71.4	1.0	92.0	6.6	1.0
P6KE75A	P6KE75CA	P6KE75A	P6KE75CA	64.1	71.3	78.8	1.0	103.0	5.9	1.0
P6KE82A	P6KE82CA	P6KE82A	P6KE82CA	70.1	77.9	86.1	1.0	113.0	5.4	1.0
P6KE91A	P6KE91CA	P6KE91A	P6KE91CA	77.8	86.5	95.5	1.0	125.0	4.9	1.0
P6KE100A	P6KE100CA	P6KE100A	P6KE100CA	85.5	95.0	105.0	1.0	137.0	4.5	1.0
P6KE110A	P6KE110CA	P6KE110A	P6KE110CA	94.0	105.0	116.0	1.0	152.0	4.0	1.0
P6KE120A	P6KE120CA	P6KE120A	P6KE120CA	102.0	114.0	126.0	1.0	165.0	3.7	1.0
P6KE150A	P6KE150CA	P6KE150A	P6KE150CA	128.0	143.0	158.0	1.0	207.0	2.9	1.0
P6KE160A	P6KE160CA	P6KE160A	P6KE160CA	136.0	152.0	168.0	1.0	219.0	2.8	1.0
P6KE170A	P6KE170CA	P6KE170A	P6KE170CA	145.0	162.0	179.0	1.0	234.0	2.6	1.0
P6KE180A	P6KE180CA	P6KE180A	P6KE180CA	154.0	171.0	189.0	1.0	246.0	2.5	1.0
P6KE200A	P6KE200CA	P6KE200A	P6KE200CA	171.0	190.0	210.0	1.0	274.0	2.2	1.0

Part Number		Device Marking Code		Reverse Stand-off Voltage	Breakdown Voltage Min.@I _T	Breakdown Voltage Max.@I _T	Test Current	Maximum Clamping Voltage @I _{pp}	Peak Pulse Current	Reverse Leakage @V _{RWM}
Uni-Polar	Bi-Polar	Uni	Bi	V _{RWM} (V)	V _{BR} (V)	V _{BR} (V)	I _T (mA)	V _C (V)	I _{pp} (A)	I _R (uA)
P6KE220A	P6KE220CA	P6KE220A	P6KE220CA	185.0	209.0	231.0	1.0	328.0	1.9	1.0
P6KE250A	P6KE250CA	P6KE250A	P6KE250CA	214.0	237.0	263.0	1.0	344.0	1.8	1.0
P6KE300A	P6KE300CA	P6KE300A	P6KE300CA	256.0	285.0	315.0	1.0	414.0	1.5	1.0
P6KE350A	P6KE350CA	P6KE350A	P6KE350CA	300.0	332.0	368.0	1.0	482.0	1.3	1.0
P6KE400A	P6KE400CA	P6KE400A	P6KE400CA	342.0	380.0	420.0	1.0	548.0	1.1	1.0
P6KE440A	P6KE440CA	P6KE440A	P6KE440CA	376.0	418.0	462.0	1.0	602.0	1.0	1.0
P6KE480A	P6KE480CA	P6KE480A	P6KE480CA	408.0	456.0	504.0	1.0	658.0	0.9	1.0
P6KE510A	P6KE510CA	P6KE510A	P6KE510CA	434.0	485.0	535.0	1.0	698.0	0.9	1.0
P6KE520A	P6KE520CA	P6KE520A	P6KE520CA	442.0	494.0	546.0	1.0	698.0	0.9	1.0
P6KE530A	P6KE530CA	P6KE530A	P6KE530CA	451.0	503.5	557.0	1.0	725.0	0.8	1.0
P6KE540A	P6KE540CA	P6KE540A	P6KE540CA	459.0	513.0	567.0	1.0	740.0	0.8	1.0
P6KE550A	P6KE550CA	P6KE550A	P6KE550CA	467.0	522.5	578.0	1.0	760.0	0.8	1.0
P6KE600A	P6KE600CA	P6KE600A	P6KE600CA	510.0	570.0	630.0	1.0	828.0	0.75	1.0

Note:

①.Surge waveform:10/1000μs

V_R: Stand-off voltage -- Maximum voltage that can be applied

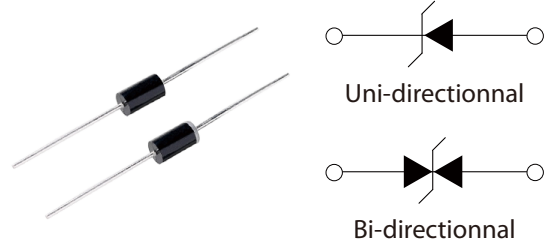
V_{BR}: Breakdown voltage

V_C: Clamping voltage -- Peak voltage measured across the suppressor at a specified I_{pp}

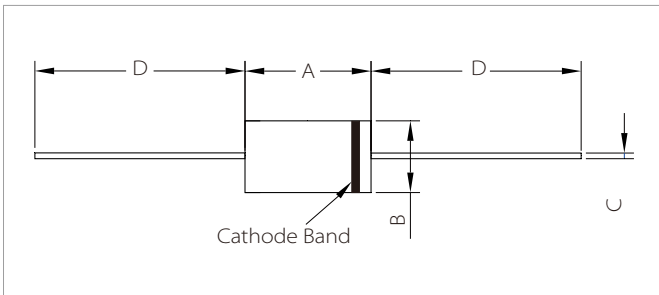
I_R: Reverse leakage current

FEATURES

- | Plastic package
- | Glass passivated chip junction in DO-201 Package
- | 1500W peak pulse power capability on 10/1000us waveform
- | Excellent clamping capability
- | Low zener impedance
- | Fast response time: typically less than 1.0ps from 0 Volts to BV min
- | Typical IR less than 1uA above 12V
- | Case: JEDEC DO-201 Molded Plastic
- | Terminals: Axial leads, solderable per MIL-STD-750, Method 2026
- | Polarity: Color band denoted cathode except bidirectional
- | Mounting Position: Any



DO-201 PACKAGE INFORMATION



Ref.	Millimeters		Inches	
	Min.	Max.	Min.	Max.
A	7.20	9.50	0.285	0.375
B	4.80	5.30	0.190	0.210
C	0.96	10.7	0.038	0.042
D	25.40	-	1.000	-

Part Number		Device Marking Code		Reverse Stand-off Voltage	Breakdown Voltage Min.@I _T	Breakdown Voltage Max.@I _T	Test Current	Maximum Clamping Voltage @I _{PP}	Peak Pulse Current	Reverse Leakage @V _{RWM}
Uni-Polar	Bi-Polar	Uni	Bi	V _{RWM} (V)	V _{BR} (V)	V _{BR} (V)	I _T (mA)	V _C (V)	I _{PP} (A)	I _R (uA)
1.5KE6.8A	1.5KE6.8CA	1.5KE6.8A	1.5KE6.8CA	5.8	6.45	7.14	10	10.5	145	1000
1.5KE7.5A	1.5KE7.5CA	1.5KE7.5A	1.5KE7.5CA	6.4	7.13	7.88	10	11.3	135	500
1.5KE8.2A	1.5KE8.2CA	1.5KE8.2A	1.5KE8.2CA	7.02	7.79	8.61	10	12.1	126	200
1.5KE9.1A	1.5KE9.1CA	1.5KE9.1A	1.5KE9.1CA	7.78	8.65	9.5	1	13.4	113	50
1.5KE10A	1.5KE10A	1.5KE10A	1.5KE10CA	8.55	9.5	10.3	1	14.5	105	10
1.5KE11A	1.5KE11A	1.5KE11A	1.5KE11CA	9.4	10.5	11.6	1	15.6	97.4	5
1.5KE12A	1.5KE12A	1.5KE12A	1.5KE12CA	10.2	11.4	12.6	1	16.7	91.0	5
1.5KE13A	1.5KE13A	1.5KE13A	1.5KE13CA	11.1	12.4	13.7	1	18.2	83.5	1

Part Number		Device Marking Code		Reverse Stand-off Voltage	Breakdown Voltage Min.@I _T	Breakdown Voltage Max.@I _T	Test Current	Maximum Clamping Voltage @I _{PP}	Peak Pulse Current	Reverse Leakage @V _{RWM}
Uni-Polar	Bi-Polar	Uni	Bi	V _{RWM} (V)	V _{BR} (V)	V _{BR} (V)	I _T (mA)	V _C (V)	I _{PP} (A)	I _R (uA)
1.5KE15A	1.5KE15A	1.5KE15A	1.5KE15CA	12.8	14.3	15.8	1	21.2	71.7	1
1.5KE16A	1.5KE16A	1.5KE16A	1.5KE16CA	13.6	15.2	16.8	1	22.5	67.6	1
1.5KE18A	1.5KE18A	1.5KE18A	1.5KE18CA	15.3	17.1	18.9	1	25.2	60.3	1
1.5KE20A	1.5KE20A	1.5KE20A	1.5KE20CA	17.1	19.0	21.0	1	27.7	54.9	1
1.5KE22A	1.5KE22A	1.5KE22A	1.5KE22CA	18.8	20.9	23.1	1	30.6	49.7	1
1.5KE24A	1.5KE24A	1.5KE24A	1.5KE24CA	20.5	22.8	25.2	1	33.2	45.8	1
1.5KE27A	1.5KE27A	1.5KE27A	1.5KE27CA	23.1	25.7	28.4	1	37.5	40.5	1
1.5KE30A	1.5KE30A	1.5KE30A	1.5KE30CA	25.6	28.5	31.5	1	41.4	36.7	1
1.5KE33A	1.5KE33A	1.5KE33A	1.5KE33CA	28.2	31.4	34.7	1	45.7	33.3	1
1.5KE36A	1.5KE36A	1.5KE36A	1.5KE36CA	30.8	34.2	37.8	1	49.9	30.5	1
1.5KE39A	1.5KE39A	1.5KE39A	1.5KE39CA	33.3	37.1	41.0	1	53.9	28.2	1
1.5KE43A	1.5KE43A	1.5KE43A	1.5KE43CA	36.8	40.9	45.2	1	59.3	25.6	1
1.5KE47A	1.5KE47A	1.5KE47A	1.5KE47CA	40.2	44.7	49.4	1	64.8	23.5	1
1.5KE51A	1.5KE51A	1.5KE51A	1.5KE51CA	43.6	48.5	53.6	1	70.1	21.7	1
1.5KE56A	1.5KE56A	1.5KE56A	1.5KE56CA	47.8	53.2	58.8	1	77.0	19.7	1
1.5KE62A	1.5KE62A	1.5KE62A	1.5KE62CA	53.0	58.9	65.1	1	85.0	17.9	1
1.5KE68A	1.5KE68CA	1.5KE68A	1.5KE68CA	58.1	64.6	71.4	1	92.0	16.5	1
1.5KE75A	1.5KE75CA	1.5KE75A	1.5KE75CA	64.1	71.3	78.8	1	103	14.8	1
1.5KE82A	1.5KE82CA	1.5KE82A	1.5KE82CA	70.1	77.9	86.1	1	113	13.5	1
1.5KE91A	1.5KE91CA	1.5KE91A	1.5KE91CA	77.8	86.5	95.5	1	125	12.2	1
1.5KE100A	1.5KE100CA	1.5KE100A	1.5KE100CA	85.5	95.0	105	1	137	11.1	1
1.5KE110A	1.5KE110CA	1.5KE110A	1.5KE110CA	94.0	105	116	1	152	10.0	1
1.5KE120A	1.5KE120CA	1.5KE120A	1.5KE120CA	102	114	126	1	165	9.2	1
1.5KE130A	1.5KE130CA	1.5KE130A	1.5KE130CA	111	124	137	1	179	8.5	1
1.5KE150A	1.5KE150CA	1.5KE150A	1.5KE150CA	128	143	158	1	207	7.3	1
1.5KE160A	1.5KE160CA	1.5KE160A	1.5KE160CA	136	152	168	1	219	6.9	1
1.5KE170A	1.5KE170CA	1.5KE170A	1.5KE170CA	145	162	179	1	234	6.5	1

Part Number		Device Marking Code		Reverse Stand-off Voltage	Breakdown Voltage Min.@I _T	Breakdown Voltage Max.@I _T	Test Current	Maximum Clamping Voltage @I _{pp}	Peak Pulse Current	Reverse Leakage @V _{RWM}
Uni-Polar	Bi-Polar	Uni	Bi	V _{RWM} (V)	V _{BR} (V)	V _{BR} (V)	I _T (mA)	V _C (V)	I _{pp} (A)	I _R (uA)
1.5KE180A	1.5KE180CA	1.5KE180A	1.5KE180CA	154	171	189	1	246	6.2	1
1.5KE200A	1.5KE200CA	1.5KE200A	1.5KE200CA	171	190	210	1	274	5.5	1
1.5KE220A	1.5KE220CA	1.5KE220A	1.5KE220CA	185	209	231	1	328	4.6	1
1.5KE250A	1.5KE250CA	1.5KE250A	1.5KE250CA	214	237	263	1	344	4.4	1
1.5KE300A	1.5KE300CA	1.5KE300A	1.5KE300CA	258	285	315	1	414	3.7	1
1.5KE350A	1.5KE350CA	1.5KE350A	1.5KE350CA	300	332	368	1	482	3.2	1
1.5KE400A	1.5KE400CA	1.5KE400A	1.5KE400CA	342	380	420	1	548	2.8	1
1.5KE440A	1.5KE440CA	1.5KE440A	1.5KE440CA	376	418	462	1	602	2.5	1
1.5KE480A	1.5KE480CA	1.5KE480A	1.5KE480CA	408	456	504	1	658	2.3	1
1.5KE510A	1.5KE510CA	1.5KE510A	1.5KE510CA	434	485	535	1	698	2.1	1
1.5KE530A	1.5KE530CA	1.5KE530A	1.5KE530CA	451	503	557	1	725	2.1	1
1.5KE540A	1.5KE540CA	1.5KE540A	1.5KE540CA	459	513	567	1	740	2.0	1
1.5KE550A	1.5KE550CA	1.5KE550A	1.5KE550CA	467	522	578	1	760	2.0	1
1.5KE600A	1.5KE600CA	1.5KE600A	1.5KE600CA	510	570	630	1	828	1.8	1

Note:

①.Surge waveform:10/1000μs

V_R: Stand-off voltage -- Maximum voltage that can be applied

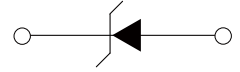
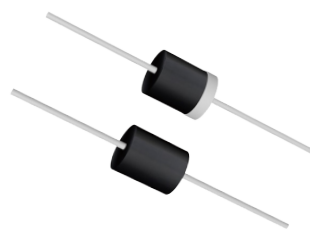
V_{BR}: Breakdown voltage

V_C: Clamping voltage -- Peak voltage measured across the suppressor at a specified I_{pp}

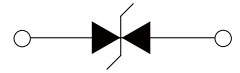
I_R: Reverse leakage current

FEATURES

- | Plastic package has underwriters laboratory
- | Flammability classification 94V-0
- | Glass passivated junction
- | 3000W peak pulse power capability on 10/1000μs waveform
- | Excellent clamping capability
- | Low incremental surge resistance
- | Fast response time: typically less than 1.0ps from 0 Volts to V_{BR}
- | Typical IR less than 2μA above V_{BR} min > 12V
- | Molded plastic over glass passivated junction
- | Polarity: Color band denoted cathode except bidirec
- | Mounting Positing: Any

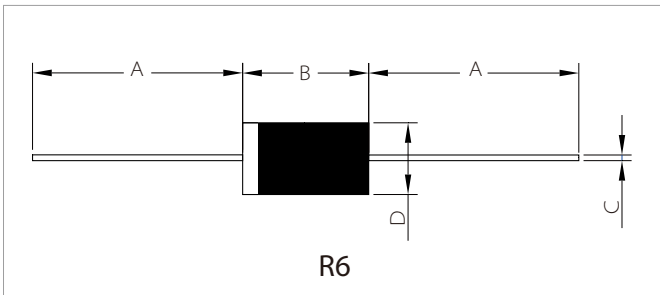


Uni-directional



Bi-directional

P600 PACKAGE INFORMATION



Ref.	Millimeters		Inches	
	Min.	Max.	Min.	Max.
A	25.40	-	1.000	-
B	8.60	9.40	0.339	0.370
C	1.20	1.40	0.047	0.055
D	8.60	9.10	0.339	0.358

Part Number		Device Marking Code		Reverse Stand-off Voltage	Breakdown Voltage Min.@ I_T	Breakdown Voltage Max.@ I_T	Test Current	Maximum Clamping Voltage @ I_{PP}	Peak Pulse Current	Reverse Leakage @ V_{RWM}
Uni-Polar	Bi-Polar	Uni	Bi	V_{RWM} (V)	V_{BR} (V)	V_{BR} (V)	I_T (mA)	V_C (V)	I_{PP} (A)	I_R (μA)
3KP5.0A	3KP5.0CA	3KP5.0A	3KP5.0CA	5.0	6.40	7.00	10	9.2	326.1	150
3KP6.0A	3KP6.0CA	3KP6.0A	3KP6.0CA	6.0	6.67	7.37	10	10.3	291.3	100
3KP6.5A	3KP6.5CA	3KP6.5A	3KP6.5CA	6.5	7.22	7.98	10	11.2	267.9	50
3KP7.0A	3KP7.0CA	3KP7.0A	3KP7.0CA	7.0	7.78	8.60	10	12.0	250.0	20
3KP7.5A	3KP7.5CA	3KP7.5A	3KP7.5CA	7.5	8.33	9.21	1	12.9	232.6	10
3KP8.0A	3KP8.0CA	3KP8.0A	3KP8.0CA	8.0	8.89	9.83	1	13.6	220.6	10
3KP8.5A	3KP8.5CA	3KP8.5A	3KP8.5CA	8.5	9.44	10.40	1	14.4	208.3	10
3KP9.0A	3KP9.0CA	3KP9.0A	3KP9.0CA	9.0	10.00	11.10	1	15.4	194.8	10

Part Number		Device Marking Code		Reverse Stand-off Voltage	Breakdown Voltage Min.@I _T	Breakdown Voltage Max.@I _T	Test Current	Maximum Clamping Voltage @I _{PP}	Peak Pulse Current	Reverse Leakage @V _{RWM}
Uni-Polar	Bi-Polar	Uni	Bi	V _{RWM} (V)	V _{BR} (V)	V _{BR} (V)	I _T (mA)	V _C (V)	I _{PP} (A)	I _R (uA)
3KP10A	3KP10CA	3KP10A	3KP10CA	10.0	11.10	12.30	1	17.0	176.5	5
3KP12A	3KP12CA	3KP12A	3KP12CA	12.0	13.30	14.70	1	19.9	150.8	2
3KP13A	3KP13CA	3KP13A	3KP13CA	13.0	14.40	15.90	1	21.5	139.5	2
3KP14A	3KP14CA	3KP14A	3KP14CA	14.0	15.60	17.20	1	23.2	129.3	1
3KP15A	3KP15CA	3KP15A	3KP15CA	15.0	16.70	18.50	1	24.4	123.0	1
3KP16A	3KP16CA	3KP16A	3KP16CA	16.0	17.80	19.70	1	26.0	115.4	1
3KP17A	3KP17CA	3KP17A	3KP17CA	17.0	18.90	20.90	1	27.6	108.7	1
3KP18A	3KP18CA	3KP18A	3KP18CA	18.0	20.00	22.10	1	29.2	102.7	1
3KP20A	3KP20CA	3KP20A	3KP20CA	20.0	22.20	24.50	1	32.4	92.6	1
3KP24A	3KP24CA	3KP24A	3KP24CA	24.0	26.70	29.50	1	38.9	77.1	1
3KP26A	3KP26CA	3KP26A	3KP26CA	26.0	28.90	31.90	1	42.1	71.3	1
3KP28A	3KP28CA	3KP28A	3KP28CA	28.0	31.10	34.40	1	45.4	66.1	1
3KP30A	3KP30CA	3KP30A	3KP30CA	30.0	33.30	36.80	1	48.4	62.0	1
3KP33A	3KP33CA	3KP33A	3KP33CA	33.0	36.70	40.60	1	53.3	56.3	1
3KP36A	3KP36CA	3KP36A	3KP36CA	36.0	40.00	44.20	1	58.1	51.6	1
3KP40A	3KP40CA	3KP40A	3KP40CA	40.0	44.40	49.10	1	64.5	46.5	1
3KP43A	3KP43CA	3KP43A	3KP43CA	43.0	47.80	52.80	1	69.4	43.2	1
3KP45A	3KP45CA	3KP45A	3KP45CA	45.0	50.00	55.30	1	72.7	41.3	1
3KP48A	3KP48CA	3KP48A	3KP48CA	48.0	53.30	58.90	1	77.4	38.8	1
3KP51A	3KP51CA	3KP51A	3KP51CA	51	56.70	62.70	1	82.4	36.4	1
3KP54A	3KP54CA	3KP54A	3KP54CA	54	60.00	66.30	1	87.1	34.4	1
3KP58A	3KP58CA	3KP58A	3KP58CA	58	64.40	71.20	1	93.6	32.1	1
3KP60A	3KP60CA	3KP60A	3KP60CA	60	66.70	73.70	1	96.8	31.0	1
3KP64A	3KP64CA	3KP64A	3KP64CA	64	71.10	78.60	1	103.0	29.1	1
3KP70A	3KP70CA	3KP70A	3KP70CA	70	77.80	86.00	1	113.0	26.5	1
3KP75A	3KP75CA	3KP75A	3KP75CA	75	83.30	92.10	1	121.0	24.8	1
3KP78A	3KP78CA	3KP78A	3KP78CA	78	86.70	95.80	1	126.0	23.8	1

Part Number		Device Marking Code		Reverse Stand-off Voltage	Breakdown Voltage Min.@I _T	Breakdown Voltage Max.@I _T	Test Current	Maximum Clamping Voltage @I _{pp}	Peak Pulse Current	Reverse Leakage @V _{RWM}
Uni-Polar	Bi-Polar	Uni	Bi	V _{RWM} (V)	V _{BR} (V)	V _{BR} (V)	I _T (mA)	V _C (V)	I _{pp} (A)	I _R (uA)
3KP85A	3KP85CA	3KP85A	3KP85CA	85	94.40	104.0	1	137.0	21.9	1
3KP90A	3KP90CA	3KP90A	3KP90CA	90	100.0	111.0	1	146.0	20.5	1
3KP100A	3KP100CA	3KP100A	3KP100CA	100	111.0	111.0	1	162.0	18.5	1
3KP120A	3KP120CA	3KP120A	3KP120CA	120	133.0	135.0	1	193.0	15.5	1
3KP150A	3KP150CA	3KP150A	3KP150CA	150	167.0	159.0	1	243.0	12.3	1
3KP160A	3KP160CA	3KP160A	3KP160CA	160	178.0	185.0	1	259.0	11.6	1
3KP170A	3KP170CA	3KP170A	3KP170CA	170	189.0	197.0	1	275.0	10.9	1
3KP180A	3KP180CA	3KP180A	3KP180CA	180	201.0	209.0	1	292.0	10.3	1
3KP190A	3KP190CA	3KP190A	3KP190CA	190	211.0	233.0	1	310.0	9.7	1
3KP200A	3KP200CA	3KP200A	3KP200CA	200	224.0	247.0	1	329.2	9.3	1
3KP210A	3KP210CA	3KP210A	3KP210CA	210	237.0	263.0	1	349.5	8.8	1
3KP220A	3KP220CA	3KP220A	3KP220CA	220	246.0	272.0	1	371.1	8.4	1

Note:

①.Surge waveform:10/1000μs

V_R: Stand-off voltage -- Maximum voltage that can be applied

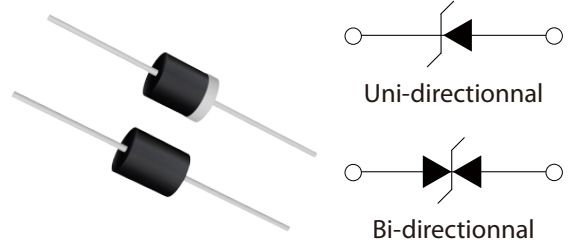
V_{BR}: Breakdown voltage

V_C: Clamping voltage -- Peak voltage measured across the suppressor at a specified I_{pp}

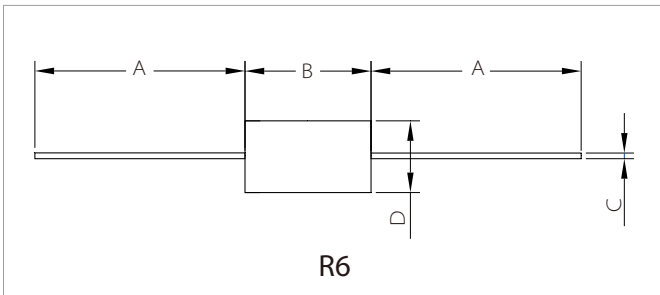
I_R: Reverse leakage current

FEATURES

- | Plastic package has underwriters laboratory
- | Flammability classification 94V-0
- | Glass passivated junction
- | 5000W peak pulse power capability on 10/1000μs waveform
- | Excellent clamping capability
- | Low incremental surge resistance
- | Fast response time: typically less than 1.0ps from 0 Volts to V_{BR}
- | Typical IR less than 2μA above 10V
- | Molded plastic over glass passivated junction
- | Polarity: Color band denoted cathode except bidirec
- | Mounting Positing: Any



PACKAGE INFORMATION



Ref.	Millimeters		Inches	
	Min.	Max.	Min.	Max.
A	25.40	-	1.000	-
B	8.60	9.40	0.339	0.370
C	1.20	1.40	0.047	0.055
D	8.60	9.10	0.339	0.358

Part Number		Device Marking Code		Reverse Stand-off Voltage	Breakdown Voltage Min.@ I_T	Breakdown Voltage Max.@ I_T	Test Current	Maximum Clamping Voltage @ I_{PP}	Peak Pulse Current	Reverse Leakage @ V_{RWM}
Uni-Polar	Bi-Polar	Uni	Bi	V_{RWM} (V)	V_{BR} (V)	V_{BR} (V)	I_T (mA)	V_C (V)	I_{PP} (A)	I_R (μA)
5KP5.0A	5KP5.0CA	5KP5.0A	5KP5.0CA	5.0	6.40	7.00	50	9.2	554.3	5000
5KP6.0A	5KP6.0CA	5KP6.0A	5KP6.0CA	6.0	6.67	7.37	50	10.3	495.1	5000
5KP6.5A	5KP6.5CA	5KP6.5A	5KP6.5CA	6.5	7.22	7.98	50	11.2	455.4	2000
5KP7.0A	5KP7.0CA	5KP7.0A	5KP7.0CA	7.0	7.78	8.60	50	12.0	425.0	1000
5KP7.5A	5KP7.5CA	5KP7.5A	5KP7.5CA	7.5	8.33	9.21	5	12.9	395.3	250
5KP8.0A	5KP8.0CA	5KP8.0A	5KP8.0CA	8.0	8.89	9.83	5	13.6	375.0	150
5KP8.5A	5KP8.5CA	5KP8.5A	5KP8.5CA	8.5	9.44	10.40	5	14.4	354.2	50
5KP9.0A	5KP9.0CA	5KP9.0A	5KP9.0CA	9.0	10.0	11.1	5	15.4	331.2	20

Part Number		Device Marking Code		Reverse Stand-off Voltage	Breakdown Voltage Min.@I _T	Breakdown Voltage Max.@I _T	Test Current	Maximum Clamping Voltage @I _{PP}	Peak Pulse Current	Reverse Leakage @V _{RWM}
Uni-Polar	Bi-Polar	Uni	Bi	V _{RWM} (V)	V _{BR} (V)	V _{BR} (V)	I _T (mA)	V _C (V)	I _{PP} (A)	I _R (uA)
5KP10A	5KP10CA	5KP10A	5KP10CA	10.0	11.10	12.30	5	17.0	300.0	15
5KP11A	5KP11CA	5KP11A	5KP11CA	11.0	12.2	13.5	5	18.2	280.2	2
5KP12A	5KP12CA	5KP12A	5KP12CA	12.0	13.30	14.70	5	19.9	256.3	2
5KP13A	5KP13CA	5KP13A	5KP13CA	13.0	14.4	15.9	5	21.5	237.2	2
5KP14A	5KP14CA	5KP14A	5KP14CA	14.0	15.6	17.2	5	23.2	219.8	2
5KP15A	5KP15CA	5KP15A	5KP15CA	15.0	16.7	18.5	5	24.4	209.0	2
5KP16A	5KP16CA	5KP16A	5KP16CA	16.0	17.8	19.7	5	26.0	196.2	2
5KP17A	5KP17CA	5KP17A	5KP17CA	17.0	18.9	20.9	5	27.6	184.8	2
5KP18A	5KP18CA	5KP18A	5KP18CA	18.0	20.0	22.1	5	29.2	174.7	2
5KP20A	5KP20CA	5KP20A	5KP20CA	20.0	22.2	24.5	5	32.4	157.4	2
5KP22A	5KP22CA	5KP22A	5KP22CA	22.0	24.4	26.9	5	35.5	143.7	2
5KP24A	5KP24CA	5KP24A	5KP24CA	24.0	26.7	29.5	5	38.9	131.1	2
5KP26A	5KP26CA	5KP26A	5KP26CA	26.0	28.9	31.9	5	42.1	121.1	2
5KP28A	5KP28CA	5KP28A	5KP28CA	28.0	31.1	34.4	5	45.4	112.3	2
5KP30A	5KP30CA	5KP30A	5KP30CA	30.0	33.3	36.8	5	48.4	105.4	2
5KP33A	5KP33CA	5KP33A	5KP33CA	33.0	36.7	40.6	5	53.3	95.7	2
5KP36A	5KP36CA	5KP36A	5KP36CA	36.0	40.0	44.2	5	58.1	87.8	2
5KP40A	5KP40CA	5KP40A	5KP40CA	40.0	44.4	49.1	5	64.5	79.1	2
5KP43A	5KP43CA	5KP43A	5KP43CA	43.0	47.8	52.8	5	69.4	73.5	2
5KP45A	5KP45CA	5KP45A	5KP45CA	45.0	50.0	55.3	5	72.7	70.2	2
5KP48A	5KP48CA	5KP48A	5KP48CA	48.0	53.3	58.9	5	77.4	65.9	2
5KP51A	5KP51CA	5KP51A	5KP51CA	51.0	56.7	62.7	5	82.4	61.9	2
5KP54A	5KP54CA	5KP54A	5KP54CA	54.0	60.0	66.3	5	87.1	58.6	2
5KP58A	5KP58CA	5KP58A	5KP58CA	58.0	64.4	71.2	5	93.6	54.5	2
5KP60A	5KP60CA	5KP60A	5KP60CA	60.0	66.7	73.7	5	96.8	52.7	2
5KP64A	5KP64CA	5KP64A	5KP64CA	64.0	71.1	78.6	5	103.0	49.5	2
5KP70A	5KP70CA	5KP70A	5KP70CA	70.0	77.8	86.0	5	113.0	45.1	2

Part Number		Device Marking Code		Reverse Stand-off Voltage	Breakdown Voltage Min.@I _T	Breakdown Voltage Max.@I _T	Test Current	Maximum Clamping Voltage @I _{PP}	Peak Pulse Current	Reverse Leakage @V _{RWM}
Uni-Polar	Bi-Polar	Uni	Bi	V _{RWM} (V)	V _{BR} (V)	V _{BR} (V)	I _T (mA)	V _C (V)	I _{PP} (A)	I _R (uA)
5KP75A	5KP75CA	5KP75A	5KP75CA	75.0	83.3	92.1	5	121.0	42.1	2
5KP78A	5KP78CA	5KP78A	5KP78CA	78.0	86.7	95.8	5	126.0	40.5	2
5KP85A	5KP85CA	5KP85A	5KP85CA	85.0	94.4	104.0	5	137.0	37.2	2
5KP90A	5KP90CA	5KP90A	5KP90CA	90.0	100.0	111.0	5	146.0	34.9	2
5KP100A	5KP100CA	5KP100A	5KP100CA	100.0	111.0	123.0	5	162.0	31.5	2
5KP110A	5KP110CA	5KP110A	5KP110CA	110.0	122.0	135.0	5	177.0	28.8	2
5KP120A	5KP120CA	5KP120A	5KP120CA	120.0	133.0	147.0	5	193.0	26.4	2
5KP130A	5KP130CA	5KP130A	5KP130CA	130.0	144.0	159.0	5	209.0	24.4	2
5KP150A	5KP150CA	5KP150A	5KP150CA	150.0	167.0	185.0	5	243.0	21.0	2
5KP160A	5KP160CA	5KP160A	5KP160CA	160.0	178.0	197.0	5	259.0	19.7	2
5KP170A	5KP170CA	5KP170A	5KP170CA	170.0	189.0	209.0	5	275.0	18.5	2
5KP180A	5KP180CA	5KP180A	5KP180CA	180.0	200.0	221.0	5	289.0	17.5	2
5KP190A	5KP190CA	5KP190A	5KP190CA	190.0	211.0	233.0	5	310.0	16.5	2
5KP200A	5KP200CA	5KP200A	5KP200CA	200.0	222.0	246.0	5	329.2	15.5	2
5KP210A	5KP210CA	5KP210A	5KP210CA	210.0	233.0	258.0	5	349.5	14.6	2
5KP220A	5KP220CA	5KP220A	5KP220CA	220.0	244.0	270.0	5	371.1	13.7	2
5KP250A	5KP250CA	5KP250A	5KP250CA	250.0	277.0	306.0	5	425.0	12.0	2

Note:

①.Surge waveform:10/1000μs

V_R: Stand-off voltage -- Maximum voltage that can be applied

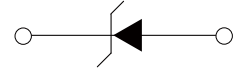
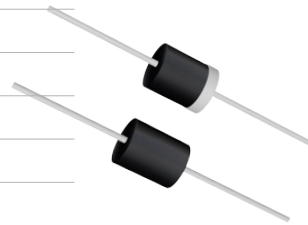
V_{BR}: Breakdown voltage

V_C: Clamping voltage -- Peak voltage measured across the suppressor at a specified I_{pp}

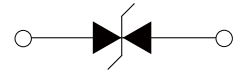
I_R: Reverse leakage current

FEATURES

- | Low incremental surge resistance.
- | Excellent clamping capability.
- | Typical IR less than 2μA above 30V.
- | Color band denoted cathode except bidirectional.
- | Plastic package has under writers laboratory flammability 94V-0.
- | 15000W peak pulse power capability at 10/1000μs waveform.
- | Meets MSL level 1, per J-STD-020, LF maximum peak of 260°C.
- | Terminal: solder plated, solderable per J-STD-002.
- | Fast response time: typically less than 1.0ps from 0V to V_{BR} min.
- | IEC61000-4-2 (ESD) ±30kV (air), ±30kV (contact).

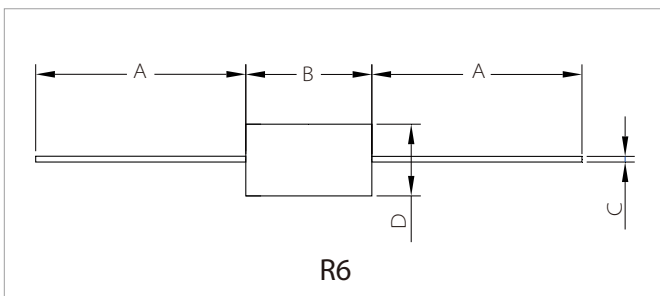


Uni-directional



Bi-directional

P600 PACKAGE INFORMATION



Ref.	Millimeters		Inches	
	Min.	Max.	Min.	Max.
A	25.40	-	1.000	-
B	8.60	9.40	0.339	0.370
C	1.20	1.40	0.047	0.055
D	8.60	9.10	0.339	0.358

Part Number		Device Marking Code		Reverse Stand-off Voltage	Breakdown Voltage Min.@ I_T	Breakdown Voltage Max.@ I_T	Test Current	Maximum Clamping Voltage @ I_{PP}	Peak Pulse Current	Reverse Leakage @ V_{RWM}
Uni-Polar	Bi-Polar	Uni	Bi	V_{RWM} (V)	V_{BR} (V)	V_{BR} (V)	I_T (mA)	V_C (V)	I_{PP} (A)	I_R (μA)
15KPA17A	15KPA17CA	15KPA17A	15KPA17CA	17.0	5000	18.90	20.90	50	29.3	515.4
15KPA18A	15KPA18CA	15KPA18A	15KPA18CA	18.0	5000	20.00	22.10	50	30.9	488.7
15KPA20A	15KPA20CA	15KPA20A	15KPA20CA	20.0	1500	22.20	24.50	20	34.3	440.2
15KPA22A	15KPA22CA	15KPA22A	15KPA22CA	22.0	500	24.40	26.90	10	37.1	407.0
15KPA24A	15KPA24CA	15KPA24A	15KPA24CA	24.0	150	26.70	29.50	5	40.7	371.0
15KPA26A	15KPA26CA	15KPA26A	15KPA26CA	26.0	50	28.90	31.90	5	44.0	343.2
15KPA28A	15KPA28CA	15KPA28A	15KPA28CA	28.0	25	31.10	34.40	5	47.5	317.9
15KPA30A	15KPA30CA	15KPA30A	15KPA30CA	30.0	15	33.30	36.80	5	50.7	297.8
15KPA33A	15KPA33CA	15KPA33A	15KPA33CA	33.0	2	36.70	40.60	5	54.7	276.1

Part Number		Device Marking Code		Reverse Stand-off Voltage	Breakdown Voltage Min.@I _T	Breakdown Voltage Max.@I _T	Test Current	Maximum Clamping Voltage @I _{PP}	Peak Pulse Current	Reverse Leakage @V _{RWM}
Uni-Polar	Bi-Polar	Uni	Bi	V _{RWM} (V)	V _{BR} (V)	V _{BR} (V)	I _T (mA)	V _C (V)	I _{PP} (A)	I _R (uA)
15KPA36A	15KPA36CA	15KPA36A	15KPA36CA	36.0	2	40.00	44.20	5	59.8	252.5
15KPA40A	15KPA40CA	15KPA40A	15KPA40CA	40.0	2	44.40	49.10	5	65.8	229.5
15KPA43A	15KPA43CA	15KPA43A	15KPA43CA	43.0	2	47.80	52.80	5	69.8	216.3
15KPA45A	15KPA45CA	15KPA45A	15KPA45CA	45.0	2	50.00	55.30	5	72.8	207.4
15KPA48A	15KPA48CA	15KPA48A	15KPA48CA	48.0	2	53.30	58.90	5	77.7	194.3
15KPA51A	15KPA51CA	15KPA51A	15KPA51CA	51.0	2	56.70	62.70	5	82.9	182.1
15KPA54A	15KPA54CA	15KPA54A	15KPA54CA	54.0	2	60.00	66.30	5	87.7	172.2
15KPA58A	15KPA58CA	15KPA58A	15KPA58CA	58.0	2	64.40	71.20	5	93.8	161.0
15KPA60A	15KPA60CA	15KPA60A	15KPA60CA	60.0	2	66.70	73.70	5	97.4	155.0
15KPA64A	15KPA64CA	15KPA64A	15KPA64CA	64.0	2	71.10	78.60	5	104.2	144.9
15KPA70A	15KPA70CA	15KPA70A	15KPA70CA	70.0	2	77.80	86.00	5	113.6	132.9
15KPA75A	15KPA75CA	15KPA75A	15KPA75CA	75.0	2	83.30	92.10	5	122.0	123.8
15KPA78A	15KPA78CA	15KPA78A	15KPA78CA	78.0	2	86.70	95.80	5	126.1	119.7
15KPA85A	15KPA85CA	15KPA85A	15KPA85CA	85.0	2	94.40	104.0	5	137.6	109.7
15KPA90A	15KPA90CA	15KPA90A	15KPA90CA	90.0	2	100.0	111.0	5	145.6	103.7
15KPA100A	15KPA100CA	15KPA100A	15KPA100CA	100.0	2	111.0	123.0	5	161.3	93.6
15KPA110A	15KPA110CA	15KPA110A	15KPA110CA	110.0	2	122.0	135.0	5	178.6	84.5
15KPA120A	15KPA120CA	15KPA120A	15KPA120CA	120.0	2	133.0	147.0	5	192.3	78.5
15KPA130A	15KPA130CA	15KPA130A	15KPA130CA	130.0	2	144.0	159.0	5	208.3	72.5
15KPA150A	15KPA150CA	15KPA150A	15KPA150CA	150.0	2	167.0	185.0	5	241.9	62.4
15KPA160A	15KPA160CA	15KPA160A	15KPA160CA	160.0	2	178.0	197.0	5	258.6	58.4
15KPA170A	15KPA170CA	15KPA170A	15KPA170CA	170.0	2	189.0	209.0	5	272.7	55.4
15KPA180A	15KPA180CA	15KPA180A	15KPA180CA	180.0	2	201.0	222.0	5	288.5	52.3
15KPA200A	15KPA200CA	15KPA200A	15KPA200CA	200.0	2	224.0	247.0	5	319.1	47.3
15KPA220A	15KPA220CA	15KPA220A	15KPA220CA	220.0	2	246.0	272.0	5	352.5	42.8
15KPA240A	15KPA240CA	15KPA240A	15KPA240CA	240.0	2	268.0	292.0	5	384.6	39.3
15KPA260A	15KPA260CA	15KPA260A	15KPA260CA	260.0	2	289.0	317.0	5	416.7	36.2

Part Number		Device Marking Code		Reverse Stand-off Voltage	Breakdown Voltage Min.@ I_T	Breakdown Voltage Max.@ I_T	Test Current	Maximum Clamping Voltage @ I_{PP}	Peak Pulse Current	Reverse Leakage @ V_{RWM}
Uni-Polar	Bi-Polar	Uni	Bi	V_{RWM} (V)	V_{BR} (V)	V_{BR} (V)	I_T (mA)	V_C (V)	I_{PP} (A)	I_R (uA)
15KPA280A	15KPA280CA	15KPA280A	15KPA280CA	280.0	2	311.0	341.0	5	454.5	33.2

Note:

①.Surge waveform:10/1000 μ s

V_R : Stand-off voltage -- Maximum voltage that can be applied

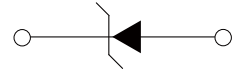
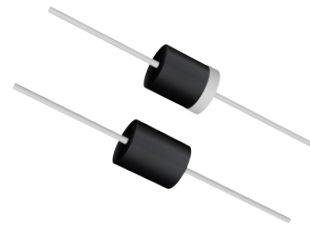
V_{BR} : Breakdown voltage

V_C : Clamping voltage -- Peak voltage measured across the suppressor at a specified I_{pp}

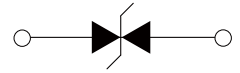
I_R : Reverse leakage current

FEATURES

- | Low incremental surge resistance.
- | Excellent clamping capability.
- | Typical I_R less than $2\mu A$ above 40V.
- | Color band denoted cathode except bidirectional.
- | Plastic package has under writers laboratory flammability 94V-0.
- | 20000W peak pulse power capability at 10/1000 μs waveform.
- | Meets MSL level 1, per J-STD-020, LF maximum peak of 260°C
- | Terminal: solder plated, solderable per J-STD-002.
- | Fast response time: typically less than 1.0ps from 0V to V_{BR} min.
- | IEC61000-4-2 (ESD) $\pm 30kV$ (air), $\pm 30kV$ (contact).

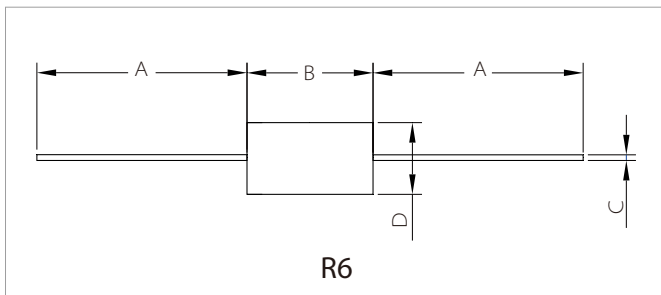


Uni-directional



Bi-directional

P600 PACKAGE INFORMATION



Ref.	Millimeters		Inches	
	Min.	Max.	Min.	Max.
A	25.40	-	1.000	-
B	8.60	9.40	0.339	0.370
C	1.20	1.40	0.047	0.055
D	8.60	9.10	0.339	0.358

Part Number		Device Marking Code		Reverse Stand-off Voltage	Breakdown Voltage Min.@ I_T	Breakdown Voltage Max.@ I_T	Test Current	Maximum Clamping Voltage @ I_{PP}	Peak Pulse Current	Reverse Leakage @ V_{RWM}
Uni-Polar	Bi-Polar	Uni	Bi	$V_{RWM}(V)$	$V_{BR}(V)$	$V_{BR}(V)$	$I_T(mA)$	$V_C(V)$	$I_{PP}(A)$	$I_R(\mu A)$
20KPA20A	20KPA20CA	20KPA20A	20KPA20CA	20.0	22.34	24.94	50	36.8	548.9	5000
20KPA24A	20KPA24CA	20KPA24A	20KPA24CA	24.0	26.81	29.93	50	41.2	490.3	5000
20KPA26A	20KPA26CA	20KPA26A	20KPA26CA	26.0	29.04	32.42	50	44.7	451.9	2000
20KPA28A	20KPA28CA	20KPA28A	20KPA28CA	28.0	31.28	34.92	50	48.0	420.8	1000
20KPA30A	20KPA30CA	20KPA30A	20KPA30CA	30.0	33.51	37.41	5	51.5	392.2	250
20KPA32A	20KPA32CA	20KPA32A	20KPA32CA	32.0	35.74	39.90	5	54.3	372.0	150
20KPA34A	20KPA34CA	20KPA34A	20KPA34CA	34.0	38.00	42.42	5	57.5	351.3	50

Part Number		Device Marking Code		Reverse Stand-off Voltage	Breakdown Voltage Min.@I _T	Breakdown Voltage Max.@I _T	Test Current	Maximum Clamping Voltage @I _{PP}	Peak Pulse Current	Reverse Leakage @V _{RWM}
Uni-Polar	Bi-Polar	Uni	Bi	V _{RWM} (V)	V _{BR} (V)	V _{BR} (V)	I _T (mA)	V _C (V)	I _{PP} (A)	I _R (uA)
20KPA36A	20KPA36CA	20KPA36A	20KPA36CA	36.0	40.20	44.88	5	61.5	328.5	20
20KPA40A	20KPA40CA	20KPA40A	20KPA40CA	40.0	44.70	49.90	5	67.8	297.9	15
20KPA44A	20KPA44CA	20KPA44A	20KPA44CA	44.0	49.10	54.81	5	72.7	277.9	2
20KPA48A	20KPA48CA	20KPA48A	20KPA48CA	48.0	53.60	59.83	5	79.4	254.4	2
20KPA52A	20KPA52CA	20KPA52A	20KPA52CA	52.0	58.10	64.86	5	85.8	235.4	2
20KPA56A	20KPA56CA	20KPA56A	20KPA56CA	56.0	62.60	69.88	5	92.6	218.1	2
20KPA60A	20KPA60CA	20KPA60A	20KPA60CA	60.0	67.00	74.79	5	97.6	207.0	2
20KPA64A	20KPA64CA	20KPA64A	20KPA64CA	64.0	71.50	79.82	5	104.0	194.2	2
20KPA68A	20KPA68CA	20KPA68A	20KPA68CA	68.0	76.00	84.84	5	110.0	183.6	2
20KPA72A	20KPA72CA	20KPA72A	20KPA72CA	72.0	80.40	89.75	5	116.0	174.1	2
20KPA80A	20KPA80CA	20KPA80A	20KPA80CA	80.0	89.40	99.80	5	130.0	155.4	2
20KPA88A	20KPA88CA	20KPA88A	20KPA88CA	88.0	98.30	109.73	5	142.0	142.3	2
20KPA96A	20KPA96CA	20KPA96A	20KPA96CA	96.0	107.20	119.67	5	155.0	130.3	2
20KPA104A	20KPA104CA	20KPA104A	20KPA104CA	104.0	116.20	129.72	5	168.0	120.2	2
20KPA112A	20KPA112CA	20KPA112A	20KPA112CA	112.0	125.10	139.65	5	182.0	111.0	2
20KPA120A	20KPA120CA	20KPA120A	20KPA120CA	120.0	134.00	149.59	5	194.0	104.1	2
20KPA132A	20KPA132CA	20KPA132A	20KPA132CA	132.0	147.40	164.54	5	213.0	94.8	2
20KPA144A	20KPA144CA	20KPA144A	20KPA144CA	144.0	160.80	179.50	5	232.0	87.1	2
20KPA160A	20KPA160CA	20KPA160A	20KPA160CA	160.0	178.70	199.49	5	258.0	78.3	2
20KPA172A	20KPA172CA	20KPA172A	20KPA172CA	172.0	192.10	214.44	5	277.0	72.9	2
20KPA180A	20KPA180CA	20KPA180A	20KPA180CA	180.0	201.10	224.49	5	291.0	69.4	2
20KPA192A	20KPA192CA	20KPA192A	20KPA192CA	192.0	214.50	239.45	5	309.0	65.4	2
20KPA204A	20KPA204CA	20KPA204A	20KPA204CA	204.0	227.90	254.41	5	329.0	61.4	2
20KPA216A	20KPA216CA	20KPA216A	20KPA216CA	216.0	241.30	269.37	5	348.0	58.0	2
20KPA232A	20KPA232CA	20KPA232A	20KPA232CA	232.0	259.10	289.24	5	374.0	54.0	2
20KPA240A	20KPA240CA	20KPA240A	20KPA240CA	240.0	268.10	299.28	5	387.0	52.2	2
20KPA256A	20KPA256CA	20KPA256A	20KPA256CA	256.0	286.00	319.27	5	412.0	49.0	2

Part Number		Device Marking Code		Reverse Stand-off Voltage	Breakdown Voltage Min.@I _T	Breakdown Voltage Max.@I _T	Test Current	Maximum Clamping Voltage @I _{pp}	Peak Pulse Current	Reverse Leakage @V _{RWM}
Uni-Polar	Bi-Polar	Uni	Bi	V _{RWM} (V)	V _{BR} (V)	V _{BR} (V)	I _T (mA)	V _C (V)	I _{pp} (A)	I _R (uA)
20KPA280A	20KPA280CA	20KPA280A	20KPA280CA	280.0	312.80	349.18	5	451.0	44.8	2
20KPA300A	20KPA300CA	20KPA300A	20KPA300CA	300.0	335.10	374.08	5	483.0	41.8	2

Note:

①.Surge waveform:10/1000μs

V_R: Stand-off voltage -- Maximum voltage that can be applied

V_{BR}: Breakdown voltage

V_C: Clamping voltage -- Peak voltage measured across the suppressor at a specified I_{pp}

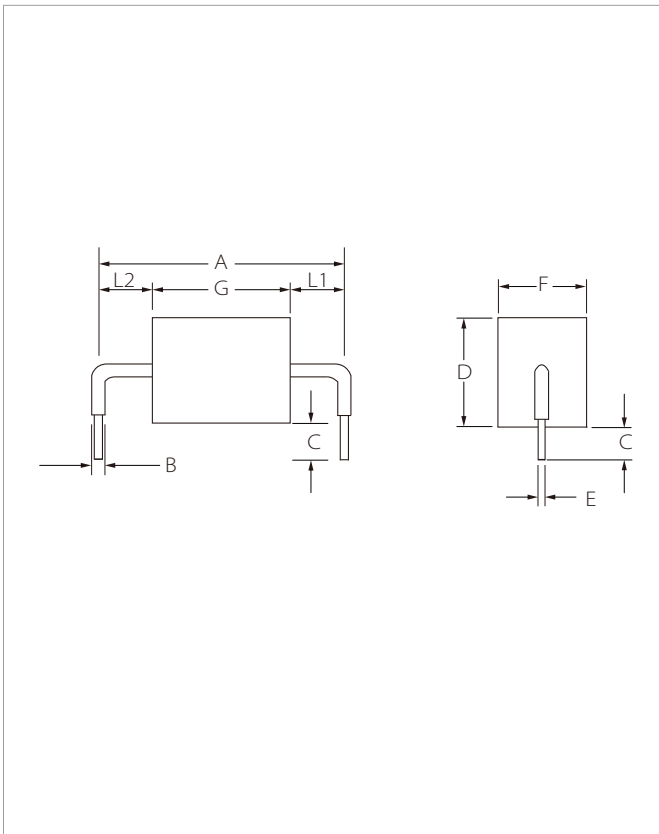
I_R: Reverse leakage current

FEATURES

- | Low profile package
- | Ideal for automated placement
- | 600 Watt peak pulse power capability with a 10/1000 μ s waveform
- | For surface mounted applications to optimize board space
- | Excellent clamping capability
- | Very fast response time
- | Low incremental surge resistance



AK10 PACKAGE INFORMATION



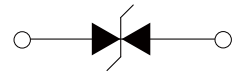
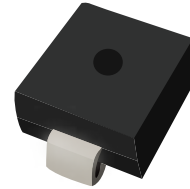
Ref.	Millimeters		Inches	
	Min.	Max.	Min.	Max.
A	23.15	25.15	0.911	0.990
A-530C	32.70	36.70	1.287	1.445
B	1.80	3.00	0.071	0.118
C	6-20		0.236-0.787	
D	14.48Max		0.570Max	
E	1.22	1.32	0.048	0.052
F	12.70Max		0.500Max	
G-015C	2.60	4.60	0.102	0.181
G-030C	3.23	5.23	0.127	0.206
G-058C/066C/076C	4.08	6.08	0.161	0.240
G-170C/190C	8.20	10.20	0.323	0.402
G-240C	9.67	11.67	0.381	0.459
G-380C/430C	15.50	17.50	0.610	0.689
G-530C	25.5	28.5	1.004	1.122
L1/L2	L1=L2 tolerance \pm 0.04inch(1.0mm)			

Part Number	Device Marking Code	Standoff Voltage (V_{WM}) (V)	Max. Reverse Leakage (I_R) @ V_{WM} (μ A)	Typical I_R @ 85°C (μ A)	Reverse Breakdown Voltage $V_{BR}@I_T$		Test Current I_T (mA)	Maximum Clamping Voltage (I_{PP})		Max. temp Coefficient Of V_{BR} (%/°C)	Max. Capacitance @ 0Bias 10KHz (pF)
					Min(V)	Max(V)		V_C (V)	I_{PP} (A)		
AK10-015C	10-015C	15	10	15	16	19	10	28	10000	0.1	12.0
AK10-030C	10-030C	30	10	15	32	37	10	58	10000	0.1	11.0

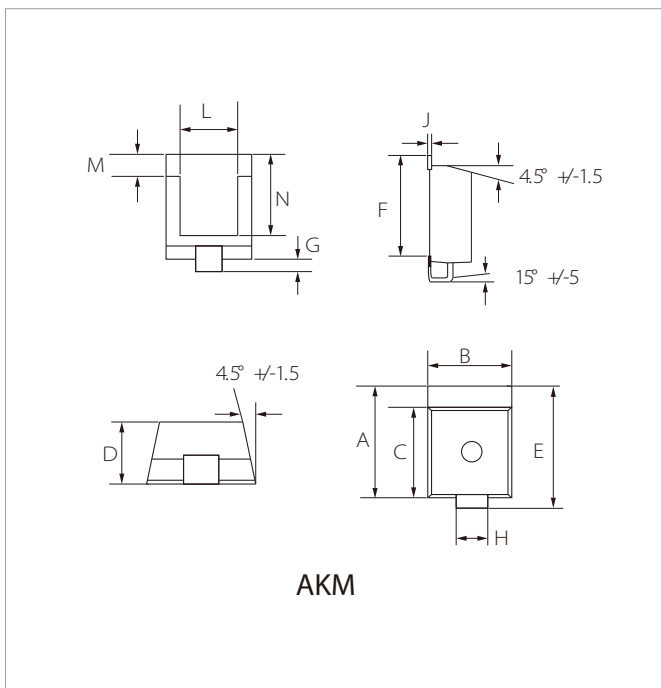
Part Number	Device Marking Code	Standoff Voltage (V_{WM}) (V)	Max. Reverse Leakage (I_R) @ V_{WM} (uA)	Typical I_R @ 85°C uA	Reverse Breakdown Voltage $V_{BR}@I_T$		Test Current I_T (mA)	Maximum Clamping Voltage (I_{pp})		Max.temp Coefficient Of V_{BR} (%/°C)	Max. Capacitance @ 0Bias 10KHz (pF)
					Min(V)	Max(V)		V_C (V)	I_{pp} (A)		
AK10-058C	10-058C	58	10	15	64	70	10	110	10000	0.1	6.5
AK10-066C	10-066C	66	10	15	72	80	10	120	10000	0.1	6.5
AK10-076C	10-076C	76	10	15	85	95	10	140	10000	0.1	6.5
AK10-170C	10-170C	170	10	15	180	220	10	260	10000	0.1	2.8
AK10-190C	10-190C	190	10	15	200	245	10	290	10000	0.1	2.5
AK10-240C	10-240C	240	10	15	250	285	10	340	10000	0.1	2.2
AK10-380C	10-380C	380	10	15	401	443	10	520	10000	0.1	2.0
AK10-430C	10-430C	430	10	15	440	490	10	625	10000	0.1	1.4
AK10-530C	10-530C	530	10	15	560	619	10	750	10000	0.1	1.0

FEATURES

- | Glass Passivated Die Construction
- | HI Power TVS Design in SMD package
- | 6000A Maximum Reverse Pulse Peak Current
- | Bi-Directional Versions Available
- | Innovative Automatic multi-layer pick and place assembly technology
- | Low clamping and slope resistance
- | 2nd level interconnectis Pd-free (IPC/JEDEC J-STD-609A.01)
- | Ideal for Automatic pick and place assembly
- | Reduce the manufacturing cost and increase the soldering quality compared to Axial leads package
- | Have complete independent property rights and patents


Bi-directional

PACKAGE INFORMATION

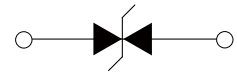
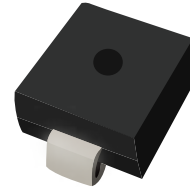


Ref.	Millimeters		Inches	
	Min.	Max.	Min.	Max.
A	15.78	16.63	0.621	0.655
B	13.43	15.09	0.529	0.594
C	13.83	14.24	0.544	0.561
D	6.94	7.24	0.273	0.285
E	17.82	18.72	0.702	0.737
F	14.40	14.90	0.567	0.587
G	2.20	3.20	0.087	0.126
H	4.89	5.65	0.193	0.222
J	0.72	0.85	0.028	0.033
L	10.17	11.17	0.400	0.440
M	1.85	2.85	0.073	0.112
N	12.95	13.54	0.510	0.583

Part Number	Device Marking Code	Standoff Voltage (V_{WM}) (V)	Max. Reverse Leakage (I_R) @ V_{WM} (uA)	Reverse Breakdown Voltage V_{BR} @ I_T		Test Current I_T (mA)	Max. Clamping Voltage V_{CL} Peak Pulse Current (I_{PP})				
				Min Volts	Max Volts		V_{CL} Volts	I_{PP} (8/20us) (A)		I_{PP} (10/350us) (A)	
								Min.	Typ.	Min.	Typ.
AKM06-58C	AKM06-58C	58.0	10.0	64.0	70.0	10.0	110.0	6000	-	1000	-
AKM06-66C	AKM06-66C	66.0	10.0	72.0	80.0	10.0	120.0	6000	-	1000	-
AKM06-76C	AKM06-76C	76.0	10.0	85.0	95.0	10.0	140.0	6000	-	1000	-

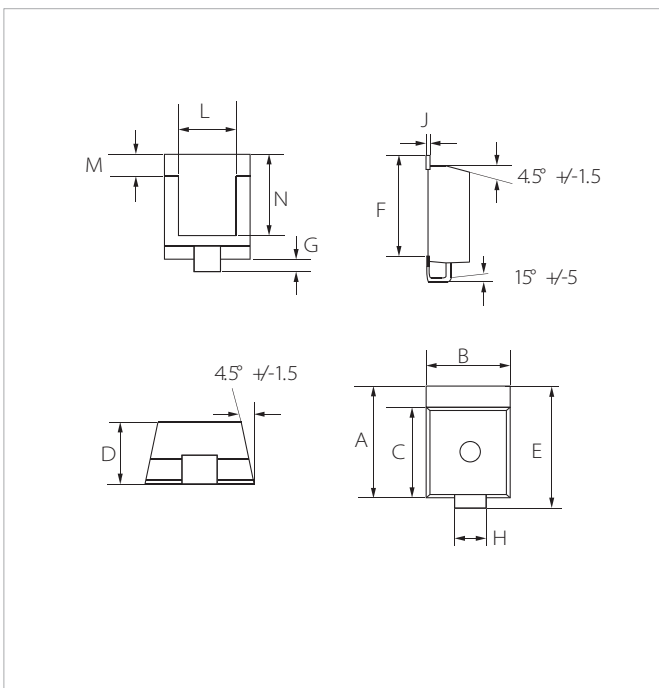
FEATURES

- | Glass Passivated Die Construction
- | HI Power TVS Design in SMD package
- | 10000A Maximum Reverse Pulse Peak Current
- | Bi-Directional Versions Available
- | Innovative Automatic multi-layer pick and place assembly technology
- | Low clamping and slope resistance
- | 2nd level interconnectis Pd-free (IPC/JEDEC J-STD-609A.01)
- | Ideal for Automatic pick and place assembly



Bi-directional

AKM PACKAGE INFORMATION



Ref.	Millimeters		Inches	
	Min.	Max.	Min.	Max.
A	15.78	16.63	0.621	0.655
B	13.43	15.09	0.529	0.594
C	13.83	14.24	0.544	0.561
D	6.94	7.24	0.273	0.285
E	17.82	18.72	0.702	0.737
F	14.40	14.90	0.567	0.587
G	2.20	3.20	0.087	0.126
H	4.89	5.65	0.193	0.222
J	0.72	0.85	0.028	0.033
L	10.17	11.17	0.400	0.440
M	1.85	2.85	0.073	0.112
N	12.95	13.54	0.510	0.583

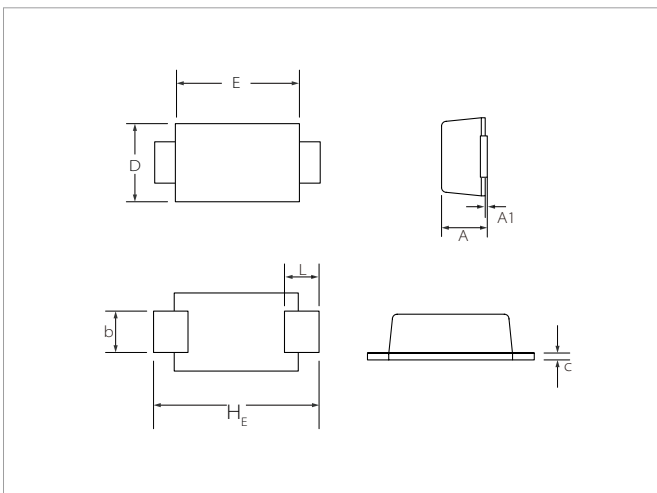
Part Number	Device Marking Code	Standoff Voltage (V_{WM}) (V)	Max. Reverse Leakage (I_R) @ V_{WM} (μ A)	Reverse Breakdown Voltage $V_{BR}@I_T$		Test Current I_T (mA)	Max. Clamping Voltage V_{CL} Peak Pulse Current (I_{PP})				
				Min Volts	Max Volts		V_{CL} Volts	I_{PP} (8/20 μ s) (A)		I_{PP} (10/350 μ s) (A)	
								Min.	Typ.	Min.	Typ.
AKM10-36C	AKM10-36C	36.0	10.0	39.0	46.0	10.0	98	10000	-	1400	-
AKM10-58C	AKM10-58C	58.0	10.0	64.0	70.0	10.0	110	10000	-	1400	-
AKM10-66C	AKM10-66C	66.0	10.0	72.0	80.0	10.0	120	10000	-	1400	-
AKM10-76C	AKM10-76C	76.0	10.0	85.0	95.0	10.0	140	10000	-	1400	-
AKM10-86C	AKM10-86C	86.0	10.0	95.0	105.0	10.0	157	10000	-	1400	-

FEATURES

- | Glass passivated chip
- | 200 W peak pulse power capability with a 10/1000 μ s waveform,
- | repeve rate (duty cycle):0.01 %
- | High reliability applicaon and automove grade
- | AEC Q101 qualified
- | Low leakage
- | Uni and Bidireconal unit
- | Excellent clamping capability



SOD-123FL PACKAGE INFORMATION



Ref.	Millimeters		Inches	
	Min.	Max.	Min.	Max.
A	0.95	1.30	0.031	0.057
A1	0.00	0.10	0.000	0.004
b	0.70	1.20	0.028	0.047
c	0.10	0.20	0.004	0.008
D	1.50	1.80	0.059	0.071
E	2.50	2.90	0.098	0.114
L	0.55	0.95	0.022	0.037
H _E	3.40	3.80	0.134	0.150

Part Number	Device Marking Code	BREAKDOWN VOLTAGE $V_{BR@I_T}$			MAXIMUM REVERSE LEAKAGE	WORKING PEAK REVERSE VOLTAGE	MAXIMUM REVERSE SURGE CURRENT	RMAXIMUM CLAMPING VOLTAGE
		Min.(V)	Max.(V)	I_T (mA)	$I_R@V_{RWM}$ (μ A)	V_{RWM} (V)	I_{PP} (A)	$V_C@I_{PP}$ (A)
TPSMF13A	HGA	14.40	15.90	1	1	13.0	9.30	21.50
TPSMF14A	HKA	15.60	17.20	1	1	14.0	8.62	23.20
TPSMF15A	HMA	16.70	18.50	1	1	15.0	8.20	24.40
TPSMF16A	HPA	17.80	19.70	1	1	16.0	7.69	26.00
TPSMF18A	HTA	20.00	22.10	1	1	18.0	6.85	29.20
TPSMF20A	HVA	22.20	24.50	1	1	20.0	6.17	32.40
TPSMF20A	HXA	24.40	26.90	1	1	22.0	5.63	35.50

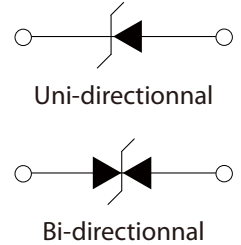
Part Number	Device Marking Code	BREAKDOWN VOLTAGE $V_{BR}@I_T$			MAXIMUM REVERSE LEAKAGE	WORKING PEAK REVERSE VOLTAGE	MAXIMUM REVERSE SURGE CURRENT	MAXIMUM CLAMPING VOLTAGE
		Min.(V)	Max.(V)	I_T (mA)	$I_R@V_{RWM}$ (μ A)	V_{RWM} (V)	I_{PP} (A)	$V_C@I_{PP}$ (A)
TPSMF24A	HZA	26.70	29.50	1	1	24.0	5.14	38.90
TPSMF26A	JEA	28.90	31.90	1	1	26.0	4.75	42.10
TPSMF28A	JGA	31.10	34.40	1	1	28.0	4.41	45.40
TPSMF30A	JKA	33.30	36.80	1	1	30.0	4.13	48.40
TPSMF33A	JMA	36.70	40.60	1	1	33.0	3.75	53.30
TPSMF36A	JPA	40.00	44.20	1	1	36.0	3.44	58.10
TPSMF40A	JPA	44.40	49.10	1	1	40.0	3.10	64.50
TPSMF43A	JTA	47.80	52.80	1	1	43.0	2.88	69.40
TPSMF45A	JTA	50.00	55.30	1	1	45.0	2.75	72.70
TPSMF48A	JTA	53.30	58.90	1	1	48.0	2.58	77.40
TPSMF51A	JZA	56.70	62.70	1	1	51.0	2.43	82.40
TPSMF54A	XEA	60.00	66.30	1	1	54.0	2.30	87.10
TPSMF58A	XGA	64.40	71.20	1	1	58.0	2.14	93.60

Note:

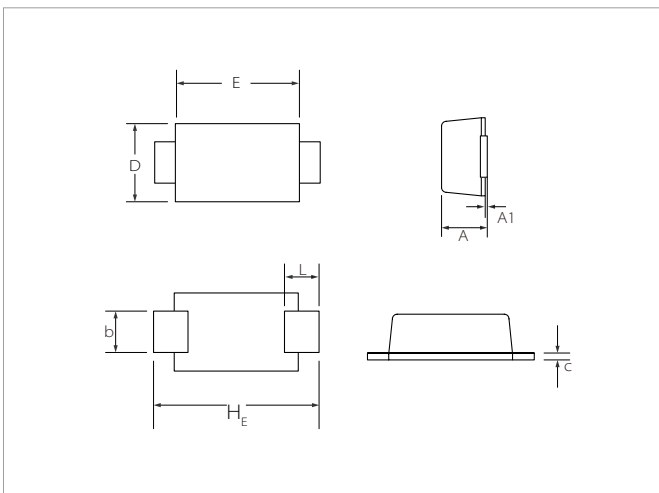
1. Suffix 'A' denotes 5% tolerance device.

FEATURES

- | Low profile package
- | Ideal for automated placement
- | 400 Watt peak pulse power capability with a 10/1000μs waveform
- | For surface mounted applications to optimize board space
- | Excellent clamping capability
- | Very fast response time
- | Low incremental surge resistance
- | Meet AEC-Q101 Requirements



SOD-123FL PACKAGE INFORMATION



Ref.	Millimeters		Inches	
	Min.	Max.	Min.	Max.
A	0.95	1.45	0.037	0.057
A1	0.00	0.10	0.000	0.004
b	0.70	1.20	0.028	0.047
c	0.05	0.30	0.002	0.012
D	1.50	2.00	0.059	0.079
E	2.50	2.90	0.098	0.114
L	0.35	0.90	0.014	0.035
H _E	3.40	3.90	0.134	0.154

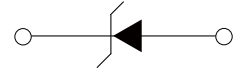
Part Number		Device Marking Code		Reverse Stand-off Voltage	Breakdown Voltage Min.@I _T	Breakdown Voltage Max.@I _T	Test Current	Maximum Clamping Voltage @I _{PP}	Peak Pulse Current	Reverse Leakage @V _{RWM}
Uni-Polar	Bi-Polar	Uni	Bi	V _{RWM} (V)	V _{BR} (V)	V _{BR} (V)	I _T (mA)	V _C (V)	I _{PP} (A)	I _R (μA)
TPSMF4L5.0A	TPSMF4L5.0CA	KE	WE	5.0	6.4	7.0	10.0	9.2	43.5	800
TPSMF4L6.0A	TPSMF4L6.0CA	KG	WG	6.0	6.67	7.37	10.0	10.3	38.8	800
TPSMF4L6.5A	TPSMF4L6.5CA	KK	WK	6.5	7.22	7.98	10.0	11.2	35.7	500
TPSMF4L7.0A	TPSMF4L7.0CA	KM	WM	7.0	7.78	8.60	10.0	12.0	33.3	200
TPSMF4L7.5A	TPSMF4L7.5CA	KP	WP	7.5	8.33	9.21	1.0	12.9	31.0	100
TPSMF4L8.0A	TPSMF4L8.0CA	KR	WR	8.0	8.89	9.83	1.0	13.6	29.4	50
TPSMF4L8.5A	TPSMF4L8.5CA	KT	WT	8.5	9.44	10.4	1.0	14.4	27.8	20
TPSMF4L9.0A	TPSMF4L9.0CA	KV	WV	9.0	10.0	11.0	1.0	15.4	26.0	10
TPSMF4L10A	TPSMF4L10CA	KX	WX	10.0	11.0	12.3	1.0	17.0	23.5	5.0

Part Number		Device Marking Code		Reverse Stand-off Voltage	Breakdown Voltage Min.@I _T	Breakdown Voltage Max.@I _T	Test Current	Maximum Clamping Voltage @I _{PP}	Peak Pulse Current	Reverse Leakage @V _{RWM}
Uni-Polar	Bi-Polar	Uni	Bi	V _{RWM} (V)	V _{BR} (V)	V _{BR} (V)	I _T (mA)	V _C (V)	I _{PP} (A)	I _R (uA)
TPSMF4L11A	TPSMF4L11CA	KZ	WZ	11.0	12.2	13.5	1.0	18.2	22.0	1.0
TPSMF4L12A	TPSMF4L12CA	LE	XE	12.0	13.3	14.7	1.0	19.9	20.1	1.0
TPSMF4L13A	TPSMF4L13CA	LG	XG	13.0	14.4	15.9	1.0	21.5	18.6	1.0
TPSMF4L14A	TPSMF4L14CA	LK	XK	14.0	15.6	17.2	1.0	23.2	17.2	1.0
TPSMF4L15A	TPSMF4L15CA	LM	XM	15.0	16.7	18.5	1.0	24.4	16.4	1.0
TPSMF4L16A	TPSMF4L16CA	LP	XP	16.0	17.8	19.7	1.0	26.0	15.4	1.0
TPSMF4L17A	TPSMF4L17CA	LR	XR	17.0	18.9	20.9	1.0	27.6	14.5	1.0
TPSMF4L18A	TPSMF4L18CA	LT	XT	18.0	20.0	22.1	1.0	29.2	13.7	1.0
TPSMF4L20A	TPSMF4L20CA	LV	XV	20.0	22.2	24.5	1.0	32.4	12.3	1.0
TPSMF4L22A	TPSMF4L22CA	LX	XX	22.0	24.4	26.9	1.0	35.5	11.3	1.0
TPSMF4L24A	TPSMF4L24CA	LZ	XZ	24.0	26.7	29.5	1.0	38.9	10.3	1.0
TPSMF4L26A	TPSMF4L26CA	ME	YE	26.0	28.9	31.9	1.0	42.1	9.5	1.0
TPSMF4L28A	TPSMF4L28CA	MG	YG	28.0	31.1	34.4	1.0	45.4	8.8	1.0
TPSMF4L30A	TPSMF4L30CA	MK	YK	30.0	33.3	36.8	1.0	48.4	8.3	1.0
TPSMF4L33A	TPSMF4L33CA	MM	YM	33.0	36.7	40.6	1.0	53.3	7.5	1.0
TPSMF4L36A	TPSMF4L36CA	MP	YP	36.0	40.0	44.2	1.0	58.1	6.9	1.0
TPSMF4L40A	TPSMF4L40CA	MR	YR	40.0	44.4	49.1	1.0	64.5	6.2	1.0
TPSMF4L43A	TPSMF4L43CA	MT	YT	43.0	47.8	52.8	1.0	69.4	5.8	1.0
TPSMF4L45A	TPSMF4L45CA	MV	YV	45.0	50.0	55.3	1.0	72.7	5.5	1.0
TPSMF4L48A	TPSMF4L48CA	MX	YX	48.0	53.3	58.9	1.0	77.4	5.2	1.0
TPSMF4L51A	TPSMF4L51CA	MZ	YZ	51.0	56.7	62.7	1.0	82.4	4.9	1.0
TPSMF4L54A	TPSMF4L54CA	NE	ZE	54.0	60.0	66.3	1.0	87.1	4.6	1.0
TPSMF4L58A	TPSMF4L58CA	NG	ZG	58.0	64.4	71.2	1.0	93.6	4.3	1.0
TPSMF4L60A	TPSMF4L60CA	NK	ZK	60.0	66.7	73.7	1.0	96.8	4.1	1.0
TPSMF4L64A	TPSMF4L64CA	NM	ZM	64.0	71.1	78.6	1.0	103.0	3.9	1.0
TPSMF4L70A	TPSMF4L70CA	NP	ZP	70.0	77.8	86.0	1.0	113.0	3.5	1.0
TPSMF4L75A	TPSMF4L75CA	NR	ZR	75.0	83.3	92.1	1.0	121.0	3.3	1.0
TPSMF4L78A	TPSMF4L78CA	NT	ZT	78.0	86.7	95.8	1.0	126.0	3.2	1.0
TPSMF4L85A	TPSMF4L85CA	NV	ZV	85.0	94.4	104.0	1.0	137.0	2.9	1.0
TPSMF4L90A	TPSMF4L90CA	NX	ZX	90.0	100.0	111.0	1.0	146.0	2.7	1.0
TPSMF4L100A	TPSMF4L100CA	NZ	ZZ	100.0	111.0	123.0	1.0	162.0	2.5	1.0
TPSMF4L110A	TPSMF4L110CA	PE	VE	110.0	122.0	135.0	1.0	177.0	2.3	1.0
TPSMF4L120A	TPSMF4L120CA	PG	VG	120.0	133.0	147.0	1.0	193.0	2.1	1.0
TPSMF4L130A	TPSMF4L130CA	PK	VK	130.0	144.0	159.0	1.0	209.0	1.9	1.0

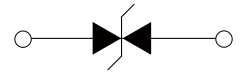
Part Number		Device Marking Code		Reverse Stand-off Voltage	Breakdown Voltage Min.@I _T	Breakdown Voltage Max.@I _T	Test Current	Maximum Clamping Voltage @I _{PP}	Peak Pulse Current	Reverse Leakage @V _{RWM}
Uni-Polar	Bi-Polar	Uni	Bi	V _{RWM} (V)	V _{BR} (V)	V _{BR} (V)	I _T (mA)	V _C (V)	I _{PP} (A)	I _R (uA)
TPSMF4L150A	TPSMF4L150CA	PM	VM	150.0	167.0	185.0	1.0	243.0	1.6	1.0
TPSMF4L160A	TPSMF4L160CA	PP	VP	160.0	178.0	197.0	1.0	259.0	1.5	1.0
TPSMF4L170A	TPSMF4L170CA	PR	VR	170.0	189.0	209.0	1.0	275.0	1.5	1.0

FEATURES

- | Low profile package
- | Ideal for automated placement
- | 400 Watt peak pulse power capability with a 10/1000µs waveform
- | For surface mounted applications to optimize board space
- | Excellent clamping capability
- | Very fast response time
- | Low incremental surge resistance
- | Meet AEC-Q101 Requirements

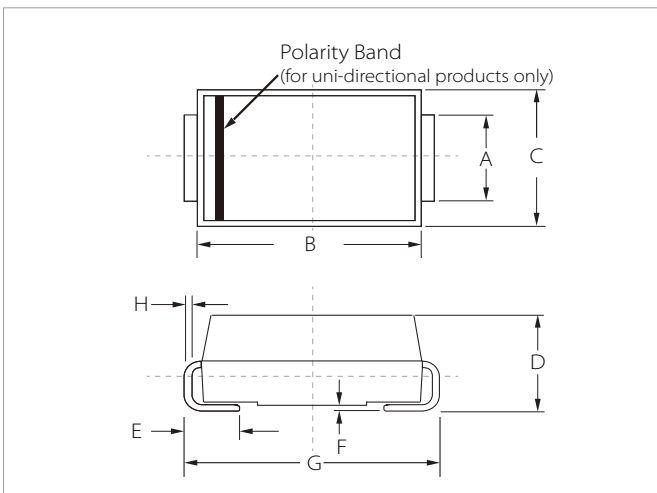


Uni-directional



Bi-directional

DO-214AC(SMA) PACKAGE INFORMATION



Ref.	Millimeters		Inches	
	Min.	Max.	Min.	Max.
A	1.20	1.60	0.047	0.063
B	4.20	4.60	0.165	0.181
C	2.60	2.80	0.102	0.110
D	2.10	2.40	0.083	0.094
E	0.76	1.52	0.030	0.060
F	0.02	0.20	0.001	0.008
G	4.85	5.25	0.191	0.207
H	0.15	0.30	0.006	0.012

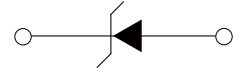
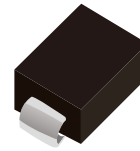
Part Number		Device Marking Code		Reverse Stand-off Voltage	Breakdown Voltage Min.@I _T	Breakdown Voltage Max.@I _T	Test Current	Maximum Clamping Voltage @I _{PP}	Peak Pulse Current	Reverse Leakage @V _{RWM}
Uni-Polar	Bi-Polar	Uni	Bi	V _{RWM} (V)	V _{BR} (V)	V _{BR} (V)	I _T (mA)	V _C (V)	I _{PP} (A)	I _R (µA)
TPSMAJ5.0A	TPSMAJ5.0CA	AEA	WEA	5.0	6.40	7.00	10	9.2	43.5	800
TPSMAJ6.0A	TPSMAJ6.0CA	AGA	WGA	6.0	6.67	7.37	10	10.3	38.8	800
TPSMAJ6.5A	TPSMAJ6.5CA	AKA	WKA	6.5	7.22	7.98	10	11.2	35.7	500
TPSMAJ7.0A	TPSMAJ7.0CA	AMA	WMA	7.0	7.78	8.60	10	12.0	33.3	200
TPSMAJ7.5A	TPSMAJ7.5CA	APA	WPA	7.5	8.33	9.21	1	12.9	31.0	100
TPSMAJ8.0A	TPSMAJ8.0CA	ARA	WRA	8.0	8.89	9.83	1	13.6	29.4	50
TPSMAJ8.5A	TPSMAJ8.5CA	ATA	WTA	8.5	9.44	10.40	1	14.4	27.8	20
TPSMAJ9.0A	TPSMAJ9.0CA	AVA	WVA	9.0	10.00	11.10	1	15.4	26.0	10
TPSMAJ10A	TPSMAJ10CA	AXA	WXA	10.0	11.10	12.30	1	17.0	23.5	5

Part Number		Device Marking Code		Reverse Stand-off Voltage	Breakdown Voltage Min.@I _T	Breakdown Voltage Max.@I _T	Test Current	Maximum Clamping Voltage @I _{PP}	Peak Pulse Current	Reverse Leakage @V _{RWM}
Uni-Polar	Bi-Polar	Uni	Bi	V _{RWM} (V)	V _{BR} (V)	V _{BR} (V)	I _T (mA)	V _C (V)	I _{PP} (A)	I _R (uA)
TPSMAJ11A	TPSMAJ11CA	AZA	WZA	11.0	12.20	13.50	1	18.2	22.0	1
TPSMAJ12A	TPSMAJ12CA	BEA	XEA	12.0	13.30	14.70	1	19.9	20.1	1
TPSMAJ13A	TPSMAJ13CA	BGA	XGA	13.0	14.40	15.90	1	21.5	18.6	1
TPSMAJ14A	TPSMAJ14CA	BKA	XKA	14.0	15.60	17.20	1	23.2	17.2	1
TPSMAJ15A	TPSMAJ15CA	BMA	XMA	15.0	16.70	18.50	1	24.4	16.4	1
TPSMAJ16A	TPSMAJ16CA	BPA	XPA	16.0	17.80	19.70	1	26.0	15.4	1
TPSMAJ17A	TPSMAJ17CA	BRA	XRA	17.0	18.90	20.90	1	27.6	14.5	1
TPSMAJ18A	TPSMAJ18CA	BTA	XTA	18.0	20.00	22.10	1	29.2	13.7	1
TPSMAJ20A	TPSMAJ20CA	BVA	XVA	20.0	22.20	24.50	1	32.4	12.3	1
TPSMAJ22A	TPSMAJ22CA	BXA	XXA	22.0	24.40	26.90	1	35.5	11.3	1
TPSMAJ24A	TPSMAJ24CA	BZA	XZA	24.0	26.70	29.50	1	38.9	10.3	1
TPSMAJ26A	TPSMAJ26CA	CEA	YEA	26.0	28.90	31.90	1	42.1	9.5	1
TPSMAJ28A	TPSMAJ28CA	CGA	YGA	28.0	31.10	34.40	1	45.4	8.8	1
TPSMAJ30A	TPSMAJ30CA	CKA	YKA	30.0	33.30	36.80	1	48.4	8.3	1
TPSMAJ33A	TPSMAJ33CA	CMA	YMA	33.0	36.70	40.60	1	53.3	7.5	1
TPSMAJ36A	TPSMAJ36CA	CPA	YPA	36.0	40.00	44.20	1	58.1	6.9	1
TPSMAJ40A	TPSMAJ40CA	CRA	YRA	40.0	44.40	49.10	1	64.5	6.2	1
TPSMAJ43A	TPSMAJ43CA	CTA	YTA	43.0	47.80	52.80	1	69.4	5.8	1
TPSMAJ45A	TPSMAJ45CA	CVA	YVA	45.0	50.00	55.30	1	72.7	5.5	1
TPSMAJ48A	TPSMAJ48CA	CXA	YXA	48.0	53.30	58.90	1	77.4	5.2	1
TPSMAJ51A	TPSMAJ51CA	CZA	YZA	51.0	56.70	62.70	1	82.4	4.9	1
TPSMAJ54A	TPSMAJ54CA	REA	ZEA	54.0	60.00	66.30	1	87.1	4.6	1
TPSMAJ58A	TPSMAJ58CA	RGA	ZGA	58.0	64.40	71.20	1	93.6	4.3	1
TPSMAJ60A	TPSMAJ60CA	RKA	ZKA	60.0	66.70	73.70	1	96.8	4.1	1
TPSMAJ64A	TPSMAJ64CA	RMA	ZMA	64.0	71.10	78.60	1	103.0	3.9	1
TPSMAJ70A	TPSMAJ70CA	RPA	ZPA	70.0	77.80	86.00	1	113.0	3.5	1
TPSMAJ75A	TPSMAJ75CA	RRA	ZRA	75.0	83.30	92.10	1	121.0	3.3	1
TPSMAJ78A	TPSMAJ78CA	RTA	ZTA	78.0	86.70	95.80	1	126.0	3.2	1
TPSMAJ85A	TPSMAJ85CA	RVA	ZVA	85.0	94.40	104.00	1	137.0	2.9	1
TPSMAJ90A	TPSMAJ90CA	RXA	ZXA	90.0	100.00	111.00	1	146.0	2.7	1
TPSMAJ100A	TPSMAJ100CA	RZA	ZZA	100.0	111.00	123.00	1	162.0	2.5	1
TPSMAJ110A	TPSMAJ110CA	SEA	VEA	110.0	122.00	135.00	1	177.0	2.3	1
TPSMAJ120A	TPSMAJ120CA	SGA	VGA	120.0	133.00	147.00	1	193.0	2.1	1
TPSMAJ130A	TPSMAJ130CA	SKA	VKA	130.0	144.00	159.00	1	209.0	1.9	1

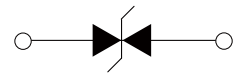
Part Number		Device Marking Code		Reverse Stand-off Voltage	Breakdown Voltage Min.@I _T	Breakdown Voltage Max.@I _T	Test Current	Maximum Clamping Voltage @I _{PP}	Peak Pulse Current	Reverse Leakage @V _{RWM}
Uni-Polar	Bi-Polar	Uni	Bi	V _{RWM} (V)	V _{BR} (V)	V _{BR} (V)	I _T (mA)	V _C (V)	I _{PP} (A)	I _R (uA)
TPSMAJ150A	TPSMAJ150CA	SMA	VMA	150.0	167.00	185.00	1	243.0	1.6	1
TPSMAJ160A	TPSMAJ160CA	SPA	VPA	160.0	178.00	197.00	1	259.0	1.5	1
TPSMAJ170A	TPSMAJ170CA	SRA	VRA	170.0	189.00	209.00	1	275.0	1.5	1
TPSMAJ180A	TPSMAJ180CA	STA	VTA	180.0	201.00	222.00	1	292.0	1.4	1
TPSMAJ200A	TPSMAJ200CA	SVA	VVA	200.0	224.00	247.00	1	324.0	1.2	1
TPSMAJ220A	TPSMAJ220CA	SXA	VXA	220.0	246.00	272.00	1	356.0	1.1	1
TPSMAJ250A	TPSMAJ250CA	SZA	VZA	250.0	279.00	309.00	1	405.0	1.0	1
TPSMAJ300A	TPSMAJ300CA	TEA	UEA	300.0	335.00	371.00	1	486.0	0.8	1
TPSMAJ350A	TPSMAJ350CA	TGA	UGA	350.0	391.00	432.00	1	567.0	0.7	1
TPSMAJ400A	TPSMAJ400CA	TKA	UKA	400.0	447.00	494.00	1	648.0	0.6	1
TPSMAJ440A	TPSMAJ440CA	TMA	UMA	440.0	492.00	543.00	1	713.0	0.6	1

FEATURES

- | Low profile package
- | Ideal for automated placement
- | 600 Watt peak pulse power capability with a 10/1000µs waveform
- | For surface mounted applications to optimize board space
- | Excellent clamping capability
- | Very fast response time
- | Low incremental surge resistance
- | Meet AEC-Q101 Requirements

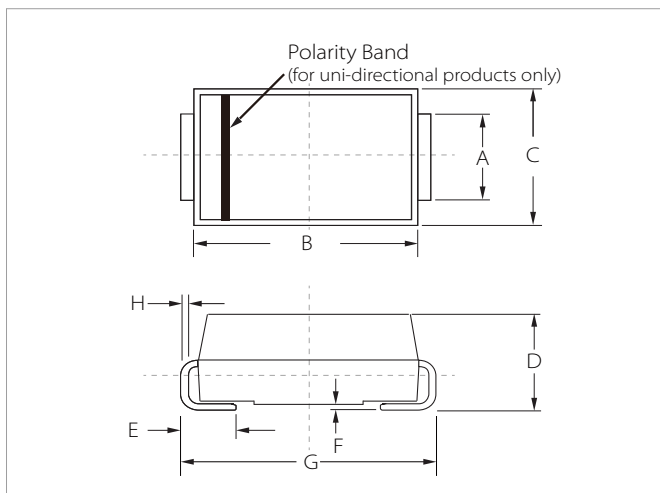


Uni-directional



Bi-directional

DO-214AA(SMB) PACKAGE INFORMATION



Ref.	Millimeters		Inches	
	Min.	Max.	Min.	Max.
A	1.80	2.20	0.071	0.087
B	4.30	4.70	0.170	0.185
C	3.40	3.90	0.134	0.153
D	2.15	2.55	0.085	0.100
E	1.00	1.50	0.039	0.059
F	0.02	0.20	0.001	0.008
G	5.10	5.50	0.200	0.216
H	0.15	0.30	0.006	0.012

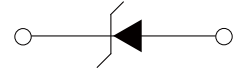
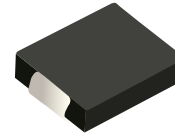
Part Number		Device Marking Code		Reverse Stand-off Voltage	Breakdown Voltage Min.@I _T	Breakdown Voltage Max.@I _T	Test Current	Maximum Clamping Voltage @I _{PP}	Peak Pulse Current	Reverse Leakage @V _{RWM}
Uni-Polar	Bi-Polar	Uni	Bi	V _{RWM} (V)	V _{BR} (V)	V _{BR} (V)	I _T (mA)	V _C (V)	I _{PP} (A)	I _R (µA)
TPSMBJ11A	TPSMBJ11CA	KZA	AZA	11.0	12.2	13.5	1	18.2	33.0	1
TPSMBJ12A	TPSMBJ12CA	LEA	BEA	12.0	13.3	14.7	1	19.9	30.2	1
TPSMBJ13A	TPSMBJ13CA	LGA	BGA	13.0	14.4	15.9	1	21.5	28.0	1
TPSMBJ14A	TPSMBJ14CA	LKA	BKA	14.0	15.6	17.2	1	23.2	25.9	1
TPSMBJ15A	TPSMBJ15CA	LMA	BMA	15.0	16.7	18.5	1	24.4	24.6	1
TPSMBJ16A	TPSMBJ16CA	LPA	BPA	16.0	17.8	19.7	1	26.0	23.1	1
TPSMBJ17A	TPSMBJ17CA	LRA	BRA	17.0	18.9	20.9	1	27.6	21.8	1
TPSMBJ18A	TPSMBJ18CA	LTA	BTA	18.0	20.0	22.1	1	29.2	20.6	1
TPSMBJ20A	TPSMBJ20CA	LVA	BVA	20.0	22.2	24.5	1	32.4	18.6	1

Part Number		Device Marking Code		Reverse Stand-off Voltage	Breakdown Voltage Min.@I _T	Breakdown Voltage Max.@I _T	Test Current	Maximum Clamping Voltage @I _{PP}	Peak Pulse Current	Reverse Leakage @V _{RWM}
Uni-Polar	Bi-Polar	Uni	Bi	V _{RWM} (V)	V _{BR} (V)	V _{BR} (V)	I _T (mA)	V _C (V)	I _{PP} (A)	I _R (uA)
TPSMBJ22A	TPSMBJ22CA	LXA	BXA	22.0	24.4	26.9	1	35.5	16.9	1
TPSMBJ24A	TPSMBJ24CA	LZA	BZA	24.0	26.7	29.5	1	38.9	15.5	1
TPSMBJ26A	TPSMBJ26CA	MEA	CEA	26.0	28.9	31.9	1	42.1	14.3	1
TPSMBJ28A	TPSMBJ28CA	MGA	CGA	28.0	31.1	34.4	1	45.4	13.3	1
TPSMBJ30A	TPSMBJ30CA	MKA	CKA	30.0	33.3	36.8	1	48.4	12.4	1
TPSMBJ33A	TPSMBJ33CA	MMA	CMA	33.0	36.7	40.6	1	53.3	11.3	1
TPSMBJ36A	TPSMBJ36CA	MPA	CPA	36.0	40.0	44.2	1	58.1	10.4	1
TPSMBJ40A	TPSMBJ40CA	MRA	CRA	40.0	44.4	49.1	1	64.5	9.3	1
TPSMBJ43A	TPSMBJ43CA	MTA	CTA	43.0	47.8	52.8	1	69.4	8.7	1
TPSMBJ45A	TPSMBJ45CA	MVA	CVA	45.0	50.0	55.3	1	72.7	8.3	1
TPSMBJ48A	TPSMBJ48CA	MXA	CXA	48.0	53.3	58.9	1	77.4	7.8	1
TPSMBJ51A	TPSMBJ51CA	MZA	CZA	51.0	56.7	62.7	1	82.4	7.3	1
TPSMBJ54A	TPSMBJ54CA	NEA	DEA	54.0	60.0	66.3	1	87.1	6.9	1
TPSMBJ58A	TPSMBJ58CA	NGA	DGA	58.0	64.4	71.2	1	93.6	6.5	1
TPSMBJ60A	TPSMBJ60CA	NKA	DKA	60.0	66.7	73.7	1	96.8	6.2	1
TPSMBJ64A	TPSMBJ64CA	NMA	DMA	64.0	71.1	78.6	1	103.0	5.9	1
TPSMBJ70A	TPSMBJ70CA	NPA	DPA	70.0	77.8	86.0	1	113.0	5.3	1
TPSMBJ75A	TPSMBJ75CA	NRA	DRA	75.0	83.3	92.1	1	121.0	5.0	1
TPSMBJ78A	TPSMBJ78CA	NTA	DTA	78.0	86.7	95.8	1	126.0	4.8	1
TPSMBJ85A	TPSMBJ85CA	NVA	DVA	85.0	94.4	104.0	1	137.0	4.4	1
TPSMBJ90A	TPSMBJ90CA	NXA	DXA	90.0	100.0	111.0	1	146.0	4.1	1
TPSMBJ100A	TPSMBJ100CA	NZA	DZA	100.0	111.0	123.0	1	162.0	3.7	1
TPSMBJ110A	TPSMBJ110CA	PEA	EEA	110.0	122.0	135.0	1	177.0	3.4	1
TPSMBJ120A	TPSMBJ120CA	PGA	EGA	120.0	133.0	147.0	1	193.0	3.1	1
TPSMBJ130A	TPSMBJ130CA	PKA	EKA	130.0	144.0	159.0	1	209.0	2.9	1
TPSMBJ150A	TPSMBJ150CA	PMA	EMA	150.0	167.0	185.0	1	243.0	2.5	1
TPSMBJ160A	TPSMBJ160CA	PPA	EPA	160.0	178.0	197.0	1	259.0	2.3	1
TPSMBJ170A	TPSMBJ170CA	PRA	ERA	170.0	189.0	209.0	1	275.0	2.2	1
TPSMBJ180A	TPSMBJ180CA	PTA	ETA	180.0	201.0	222.0	1	292.0	2.1	1
TPSMBJ200A	TPSMBJ200CA	PVA	EVA	200.0	224.0	247.0	1	324.0	1.9	1
TPSMBJ220A	TPSMBJ220CA	PXA	EXA	220.0	246.0	272.0	1	356.0	1.7	1
TPSMBJ250A	TPSMBJ250CA	PZA	EZA	250.0	279.0	309.0	1	405.0	1.5	1
TPSMBJ300A	TPSMBJ300CA	QEA	FEA	300.0	335.0	371.0	1	486.0	1.3	1
TPSMBJ350A	TPSMBJ350CA	QGA	FGA	350.0	391.0	432.0	1	567.0	1.1	1

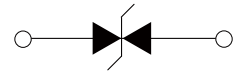
Part Number		Device Marking Code		Reverse Stand-off Voltage	Breakdown Voltage Min.@I _T	Breakdown Voltage Max.@I _T	Test Current	Maximum Clamping Voltage @I _{PP}	Peak Pulse Current	Reverse Leakage @V _{RWM}
Uni-Polar	Bi-Polar	Uni	Bi	V _{RWM} (V)	V _{BR} (V)	V _{BR} (V)	I _T (mA)	V _C (V)	I _{PP} (A)	I _R (uA)
TPSMBJ400A	TPSMBJ400CA	QKA	FKA	400.0	447.0	494.0	1	648.0	0.9	1
TPSMBJ440A	TPSMBJ440CA	QMA	FMA	440.0	492.0	543.0	1	713.0	0.9	1

FEATURES

- | Low profile package
- | Ideal for automated placement
- | 1500 Watt peak pulse power capability with a 10/1000 μ s waveform
- | For surface mounted applications to optimize board space
- | Excellent clamping capability
- | Very fast response time
- | Low incremental surge resistance
- | Meet AEC-Q101 Requirements

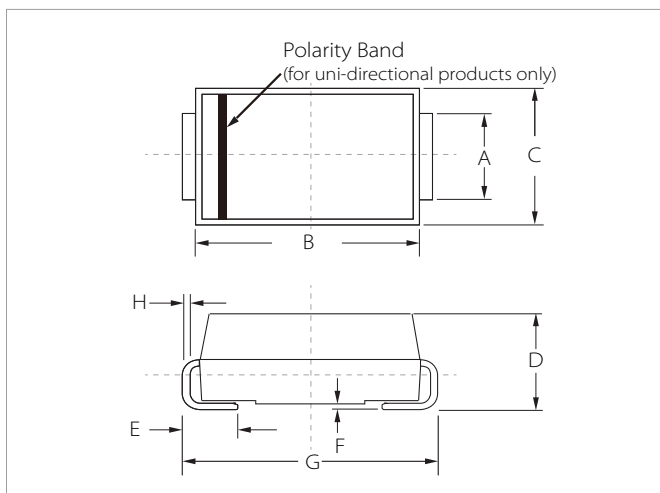


Uni-directional



Bi-directional

DO-214AB(SMC) PACKAGE INFORMATION



Ref.	Millimeters		Inches	
	Min.	Max.	Min.	Max.
A	2.80	3.20	0.110	0.126
B	6.60	7.20	0.260	0.283
C	5.70	6.10	0.224	0.240
D	2.15	2.75	0.085	0.108
E	1.00	1.60	0.039	0.063
F	0.02	0.20	0.000	0.008
G	7.60	8.00	0.299	0.315
H	0.15	0.30	0.006	0.012

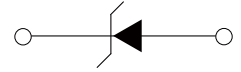
Part Number		Device Marking Code		Reverse Stand-off Voltage	Breakdown Voltage Min.@I _T	Breakdown Voltage Max.@I _T	Test Current	Maximum Clamping Voltage @I _{PP}	Peak Pulse Current	Reverse Leakage @V _{RWM}
Uni-Polar	Bi-Polar	Uni	Bi	V _{RWM} (V)	V _{BR} (V)	V _{BR} (V)	I _T (mA)	V _C (V)	I _{PP} (A)	I _R (uA)
TPSMCJ11A	TPSMCJ11CA	GDZA	BDZA	11.0	12.20	13.50	1	18.2	82.5	1
TPSMCJ12A	TPSMCJ12CA	GEEA	BEEA	12.0	13.30	14.70	1	19.9	75.4	1
TPSMCJ13A	TPSMCJ13CA	GEGA	BEGA	13.0	14.40	15.90	1	21.5	69.8	1
TPSMCJ14A	TPSMCJ14CA	GEKA	BEKA	14.0	15.60	17.20	1	23.2	64.7	1
TPSMCJ15A	TPSMCJ15CA	GEMA	BEMA	15.0	16.70	18.50	1	24.4	61.5	1
TPSMCJ16A	TPSMCJ16CA	GEPa	BEPA	16.0	17.80	19.70	1	26.0	57.7	1
TPSMCJ18A	TPSMCJ18CA	GETA	BETA	18.0	20.00	22.10	1	29.2	51.4	1
TPSMCJ20A	TPSMCJ20CA	GEVA	BEVA	20.0	22.20	24.50	1	32.4	46.3	1
TPSMCJ22A	TPSMCJ22CA	GEXA	BEXA	22.0	24.40	26.90	1	35.5	42.3	1

Part Number		Device Marking Code		Reverse Stand-off Voltage	Breakdown Voltage Min.@I _T	Breakdown Voltage Max.@I _T	Test Current	Maximum Clamping Voltage @I _{pp}	Peak Pulse Current	Reverse Leakage @V _{RWM}
Uni-Polar	Bi-Polar	Uni	Bi	V _{RWM} (V)	V _{BR} (V)	V _{BR} (V)	I _T (mA)	V _C (V)	I _{pp} (A)	I _R (μA)
TPSMCJ24A	TPSMCJ24CA	GEZA	BEZA	24.0	26.70	29.50	1	38.9	38.6	1
TPSMCJ26A	TPSMCJ26CA	GFEA	BFEA	26.0	28.90	31.90	1	42.1	35.7	1
TPSMCJ28A	TPSMCJ28CA	GFGA	BFGA	28.0	31.10	34.40	1	45.4	33.1	1
TPSMCJ30A	TPSMCJ30CA	GFKA	BFKA	30.0	33.30	36.80	1	48.4	31.0	1
TPSMCJ33A	TPSMCJ33CA	GFMA	BFMA	33.0	36.70	40.60	1	53.3	28.2	1
TPSMCJ36A	TPSMCJ36CA	GFPA	BFPA	36.0	40.00	44.20	1	58.1	25.9	1
TPSMCJ40A	TPSMCJ40CA	GFRA	BFRA	40.0	44.40	49.10	1	64.5	23.3	1
TPSMCJ43A	TPSMCJ43CA	GFTA	BFTA	43.0	47.80	52.80	1	69.4	21.7	1
TPSMCJ45A	TPSMCJ45CA	GFVA	BFVA	45.0	50.00	55.30	1	72.7	20.6	1
TPSMCJ48A	TPSMCJ48CA	GFXA	BFXA	48.0	53.30	58.90	1	77.4	19.4	1
TPSMCJ51A	TPSMCJ51CA	GFZA	BFZA	51.0	56.70	62.70	1	82.4	18.2	1
TPSMCJ54A	TPSMCJ54CA	GGEA	BGEA	54.0	60.00	66.30	1	87.1	17.3	1
TPSMCJ58A	TPSMCJ58CA	GGGA	BGGA	58.0	64.40	71.20	1	93.6	16.1	1
TPSMCJ60A	TPSMCJ60CA	GGKA	BGKA	60.0	66.70	73.70	1	96.8	15.5	1
TPSMCJ64A	TPSMCJ64CA	GGMA	BGMA	64.0	71.10	78.60	1	103.0	14.6	1
TPSMCJ70A	TPSMCJ70CA	GGPA	BGPA	70.0	77.80	86.00	1	113.0	13.3	1
TPSMCJ75A	TPSMCJ75CA	GGRA	BGRA	75.0	83.30	92.10	1	121.0	12.4	1
TPSMCJ78A	TPSMCJ78CA	GGTA	BGTA	78.0	86.70	95.80	1	126.0	11.9	1
TPSMCJ85A	TPSMCJ85CA	GGVA	BGVA	85.0	94.40	104.00	1	137.0	11.0	1
TPSMCJ90A	TPSMCJ90CA	GGXA	BGXA	90.0	100.00	111.00	1	146.0	10.3	1
TPSMCJ100A	TPSMCJ100CA	GGZA	BGZA	100.0	111.00	123.00	1	162.0	9.3	1
TPSMCJ110A	TPSMCJ110CA	GHEA	BHEA	110.0	122.00	135.00	1	177.0	8.5	1
TPSMCJ120A	TPSMCJ120CA	GHGA	BHGA	120.0	133.00	147.00	1	193.0	7.8	1
TPSMCJ130A	TPSMCJ130CA	GHKA	BHKA	130.0	144.00	159.00	1	209.0	7.2	1
TPSMCJ150A	TPSMCJ150CA	GHMA	BHMA	150.0	167.00	185.00	1	243.0	6.2	1
TPSMCJ160A	TPSMCJ160CA	GHPA	BHPA	160.0	178.00	197.00	1	259.0	5.8	1
TPSMCJ170A	TPSMCJ170CA	GHRA	BHRA	170.0	189.00	209.00	1	275.0	5.5	1
TPSMCJ180A	TPSMCJ180CA	GHTA	BHTA	180.0	201.00	222.00	1	292.0	5.1	1
TPSMCJ200A	TPSMCJ200CA	GHVA	BHVA	200.0	224.00	247.00	1	324.0	4.6	1
TPSMCJ220A	TPSMCJ220CA	GHXA	BHXA	220.0	246.00	272.00	1	356.0	4.2	1
TPSMCJ250A	TPSMCJ250CA	GHZA	BHZA	250.0	279.00	309.00	1	405.0	3.7	1
TPSMCJ300A	TPSMCJ300CA	GJEA	BJEA	300.0	335.00	371.00	1	486.0	3.1	1
TPSMCJ350A	TPSMCJ350CA	GJGA	BJGA	350.0	391.00	432.00	1	567.0	2.6	1

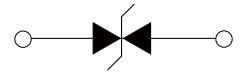
Part Number		Device Marking Code		Reverse Stand-off Voltage	Breakdown Voltage Min.@I _T	Breakdown Voltage Max.@I _T	Test Current	Maximum Clamping Voltage @I _{PP}	Peak Pulse Current	Reverse Leakage @V _{RWM}
Uni-Polar	Bi-Polar	Uni	Bi	V _{RWM} (V)	V _{BR} (V)	V _{BR} (V)	I _T (mA)	V _C (V)	I _{PP} (A)	I _R (uA)
TPSMCJ400A	TPSMCJ400CA	GJKA	BJKA	400.0	447.00	494.00	1	648.0	2.3	1
TPSMCJ440A	TPSMCJ440CA	GJMA	BJMA	440.0	492.00	543.00	1	713.0	2.1	1

FEATURES

- | Low profile package
- | Ideal for automated placement
- | 1500 Watt peak pulse power capability with a 10/1000 μ s waveform
- | For surface mounted applications to optimize board space
- | Excellent clamping capability
- | Very fast response time
- | Low incremental surge resistance
- | Meet AEC-Q101 Requirements

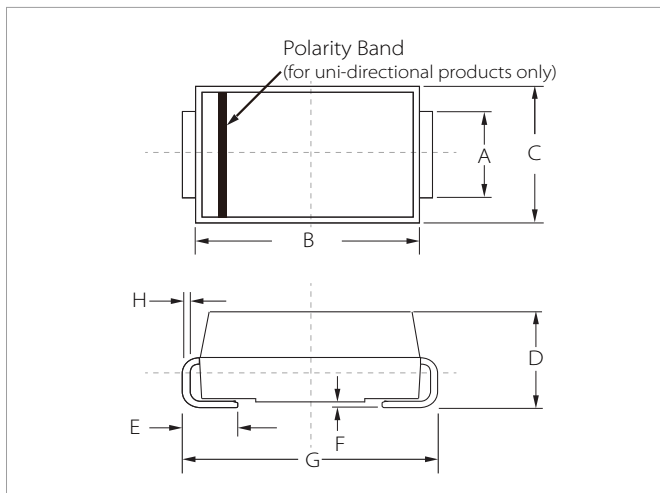


Uni-directional



Bi-directional

DO-214AB(SMC) PACKAGE INFORMATION



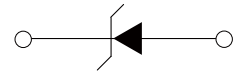
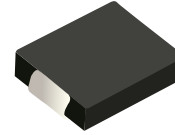
Ref.	Millimeters		Inches	
	Min.	Max.	Min.	Max.
A	2.80	3.20	0.110	0.126
B	6.60	7.20	0.260	0.283
C	5.70	6.10	0.224	0.240
D	2.15	2.75	0.085	0.108
E	1.00	1.60	0.039	0.063
F	0.02	0.20	0.000	0.008
G	7.60	8.00	0.299	0.315
H	0.15	0.30	0.006	0.012

Part Number		Device Marking Code		Reverse Stand-off Voltage	Breakdown Voltage Min.@I _T	Breakdown Voltage Max.@I _T	Test Current	Maximum Clamping Voltage @I _{PP}	Peak Pulse Current	Reverse Leakage @V _{RWM}
Uni-Polar	Bi-Polar	Uni	Bi	V _{RWM} (V)	V _{BR} (V)	V _{BR} (V)	I _T (mA)	V _C (V)	I _{PP} (A)	I _R (uA)
TPSMDJ10A	TPSMDJ10CA	PDXA	DDXA	11.1	12.3	1	1	10	176.47	17
TPSMDJ11A	TPSMDJ11CA	PDZA	DDZA	12.2	13.5	1	1	11	164.84	18.2
TPSMDJ12A	TPSMDJ12CA	PEEA	DEEA	13.3	14.7	1	1	12	150.75	19.9
TPSMDJ13A	TPSMDJ13CA	PEGA	DEGA	14.4	15.9	1	1	13	139.53	21.5
TPSMDJ14A	TPSMDJ14CA	PEKA	DEKA	15.6	17.2	1	1	14	129.31	23.2
TPSMDJ15A	TPSMDJ15CA	PEMA	DEMA	16.7	18.5	1	1	15	122.95	24.4
TPSMDJ16A	TPSMDJ16CA	PEPA	DEPA	17.8	19.7	1	1	16	115.38	26
TPSMDJ18A	TPSMDJ18CA	PETA	DETA	20	22.1	1	1	18	102.74	29.2
TPSMDJ20A	TPSMDJ20CA	PEVA	DEVA	22.2	24.5	1	1	20	92.59	32.4

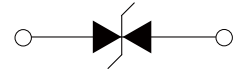
Part Number		Device Marking Code		Reverse Stand-off Voltage	Breakdown Voltage Min.@I _T	Breakdown Voltage Max.@I _T	Test Current	Maximum Clamping Voltage @I _{PP}	Peak Pulse Current	Reverse Leakage @V _{RWM}
Uni-Polar	Bi-Polar	Uni	Bi	V _{RWM} (V)	V _{BR} (V)	V _{BR} (V)	I _T (mA)	V _C (V)	I _{PP} (A)	I _R (uA)
TPSMDJ22A	TPSMDJ22CA	PEXA	DEXA	24.4	26.9	1	1	22	84.51	35.5
TPSMDJ24A	TPSMDJ24CA	PEZA	DEZA	26.7	29.5	1	1	24	77.12	38.9
TPSMDJ26A	TPSMDJ26CA	PFEA	DFEA	28.9	31.9	1	1	26	71.26	42.1
TPSMDJ28A	TPSMDJ28CA	PFGA	DFGA	31.1	34.4	1	1	28	66.08	45.4
TPSMDJ30A	TPSMDJ30CA	PFKA	DFKA	33.3	36.8	1	1	30	61.98	48.4
TPSMDJ33A	TPSMDJ33CA	PFMA	DFMA	36.7	40.6	1	1	33	56.29	53.3
TPSMDJ36A	TPSMDJ36CA	PFPA	DFPA	40	44.2	1	1	36	51.64	58.1
TPSMDJ40A	TPSMDJ40CA	PFRA	DFRA	44.4	49.1	1	1	40	46.51	64.5
TPSMDJ43A	TPSMDJ43CA	PFTA	DFTA	47.8	52.8	1	1	43	43.23	69.4

FEATURES

- | Low profile package
- | Ideal for automated placement
- | 5000 Watt peak pulse power capability with a 10/1000 μ s waveform
- | For surface mounted applications to optimize board space
- | Excellent clamping capability
- | Very fast response time
- | Low incremental surge resistance
- | Meet AEC-Q101 Requirements

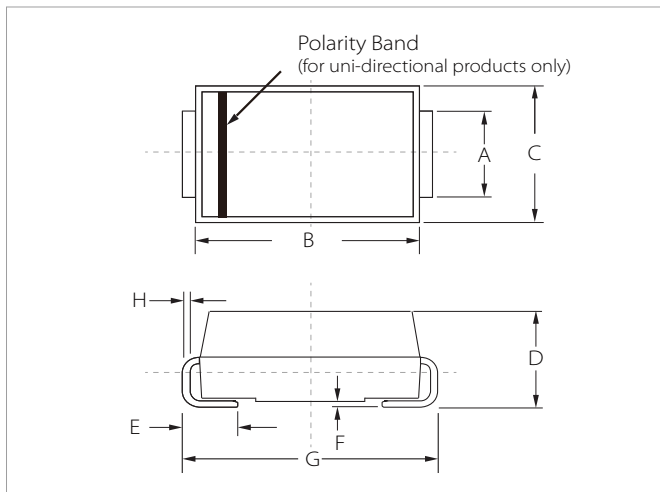


Uni-directional



Bi-directional

DO-214AB(SMC) PACKAGE INFORMATION



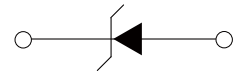
Ref.	Millimeters		Inches	
	Min.	Max.	Min.	Max.
A	2.80	3.20	0.110	0.126
B	6.60	7.20	0.260	0.283
C	5.70	6.10	0.224	0.240
D	2.15	2.75	0.085	0.108
E	1.00	1.60	0.039	0.063
F	0.02	0.20	0.000	0.008
G	7.60	8.00	0.299	0.315
H	0.15	0.30	0.006	0.012

Part Number		Device Marking Code		Reverse Stand-off Voltage	Breakdown Voltage Min.@I _T	Breakdown Voltage Max.@I _T	Test Current	Maximum Clamping Voltage @I _{PP}	Peak Pulse Current	Reverse Leakage @V _{RWM}
Uni-Polar	Bi-Polar	Uni	Bi	V _{RWM} (V)	V _{BR} (V)	V _{BR} (V)	I _T (mA)	V _C (V)	I _{PP} (A)	I _R (μ A)
TP5.0SMDJ11A	TP5.0SMDJ11CA	5SAF	5DAF	11.0	12.20	13.50	1	18.2	275.0	1
TP5.0SMDJ12A	TP5.0SMDJ12CA	5SAG	5DAG	12.0	13.20	14.70	1	19.9	252.0	1
TP5.0SMDJ13A	TP5.0SMDJ13CA	5SAK	5DAK	13.0	14.40	15.90	1	21.5	233.0	1
TP5.0SMDJ14A	TP5.0SMDJ14CA	5SAM	5DAM	14.0	15.60	17.20	1	23.2	216.0	1
TP5.0SMDJ15A	TP5.0SMDJ15CA	5SAP	5DAP	15.0	16.70	18.50	1	24.4	205.0	1
TP5.0SMDJ16A	TP5.0SMDJ16CA	5SAR	5DAR	16.0	17.80	19.70	1	26.0	193.0	1
TP5.0SMDJ18A	TP5.0SMDJ18CA	5SAV	5DAV	18.0	20.00	22.10	1	29.2	172.0	1
TP5.0SMDJ20A	TP5.0SMDJ20CA	5SAZ	5DAZ	20.0	22.20	24.50	1	32.4	155.0	1

Part Number		Device Marking Code		Reverse Stand-off Voltage	Breakdown Voltage Min.@I _T	Breakdown Voltage Max.@I _T	Test Current	Maximum Clamping Voltage @I _{PP}	Peak Pulse Current	Reverse Leakage @V _{RWM}
Uni-Polar	Bi-Polar	Uni	Bi	V _{RWM} (V)	V _{BR} (V)	V _{BR} (V)	I _T (mA)	V _C (V)	I _{PP} (A)	I _R (uA)
TP5.0SMDJ22A	TP5.0SMDJ22CA	5SBE	5DBE	22.0	24.40	26.90	1	35.5	141.0	1
TP5.0SMDJ24A	TP5.0SMDJ24CA	5SBF	5DBF	24.0	26.70	29.50	1	38.9	129.0	1
TP5.0SMDJ26A	TP5.0SMDJ26CA	5SBG	5DBG	26.0	28.90	31.90	1	42.1	119.0	1
TP5.0SMDJ28A	TP5.0SMDJ28CA	5SBK	5DBK	28.0	31.10	34.40	1	45.4	110.0	1
TP5.0SMDJ30A	TP5.0SMDJ30CA	5SBM	5DBM	30.0	33.30	36.80	1	48.4	103.0	1
TP5.0SMDJ33A	TP5.0SMDJ33CA	5SBP	5DBP	33.0	36.70	40.60	1	53.3	93.9	1
TP5.0SMDJ36A	TP5.0SMDJ36CA	5SBR	5DBR	36.0	40.00	44.20	1	58.1	86.1	1
TP5.0SMDJ40A	TP5.0SMDJ40CA	5SBT	5DBT	40.0	44.40	49.10	1	64.5	77.6	1
TP5.0SMDJ43A	TP5.0SMDJ43CA	5SBV	5DBV	43.0	47.80	52.80	1	69.4	72.1	1
TP5.0SMDJ45A	TP5.0SMDJ45CA	5SBX	5DBX	45.0	50.00	55.30	1	72.7	68.8	1
TP5.0SMDJ48A	TP5.0SMDJ48CA	5SBZ	5DBZ	48.0	53.30	58.90	1	77.4	64.7	1
TP5.0SMDJ51A	TP5.0SMDJ51CA	5SCE	5DCE	51.0	56.70	62.70	1	82.4	60.7	1
TP5.0SMDJ54A	TP5.0SMDJ54CA	5SCF	5DCF	54.0	60.00	66.30	1	87.1	57.5	1
TP5.0SMDJ58A	TP5.0SMDJ58CA	5SCG	5DCG	58.0	64.40	71.20	1	93.6	53.5	1

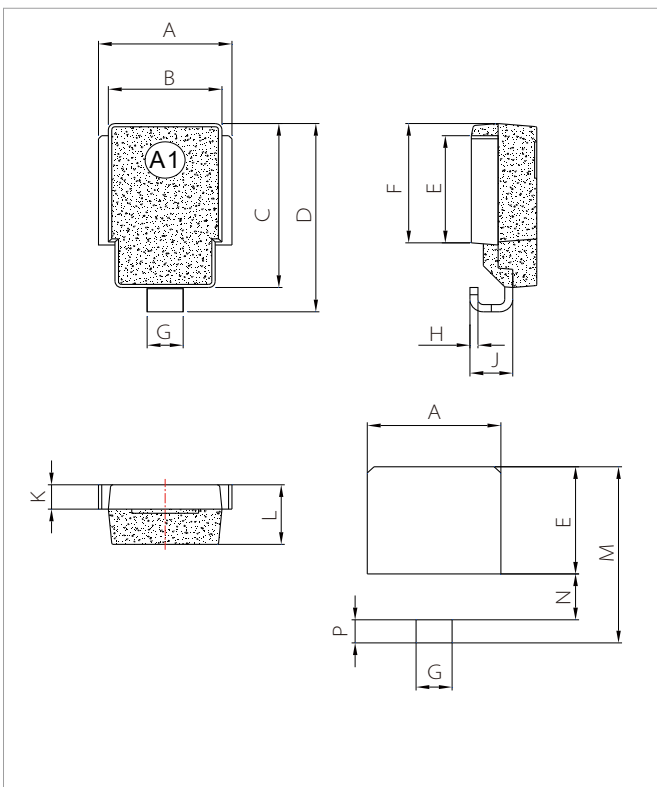
FEATURES

- | ISO10605(C=330pF, R=330Ω):±30kV Air , ±30kV(Contact)
- | HBM ≥±8kV & CDM ≥±2kV
- | Rated for load dump protection (ISO16750-2)in automotive applications
- | Meets ISO7637-2 Requirements
- | Meets MSL Level 1 per J-STD-020
- | Meet AEC-Q101 Requirements
- | Lead free in compliance with EU RoHS 2.0
- | Green molding compound as per IEC61249 standard



Uni-directional

DO-218AB PACKAGE INFORMATION



Ref.	Millimeters		Inches	
	Min.	Max.	Min.	Max.
A	9.5	10.5	0.374	0.413
B	8.3	8.7	0.327	0.342
C	13.3	13.7	0.524	0.539
D	15.0	16.0	0.592	0.628
E	8.5	9.1	0.335	0.358
F	9.5	10.1	0.374	0.398
G	2.4	3.0	0.094	0.118
H	0.5	0.7	0.020	0.028
J	2.7	3.7	0.106	0.146
K	1.9	2.1	0.075	0.083
L	4.7	5.1	0.185	0.201
M	14.2	14.8	0.559	0.583
N	3.5	4.1	0.138	0.161
P	1.6	2.2	0.063	0.087

Part Number	Device Marking Code	Reverse Stand-off Voltage	Breakdown Voltage Min.@I _r	Breakdown Voltage Max.@I _r	Test Current	Maximum Clamping Voltage @I _{pp}	Peak Pulse Current	Reverse Leakage @V _{RWM}	Reverse Leakage @V _{RWM} T _J =175°C
		V _{RWM} (V)	V _{BR} (V)	V _{BR} (V)	I _r (mA)	V _c (V)	I _{pp} (A) ⁽¹⁾	I _r (uA) ⁽¹⁾	I _r (uA)
SM8S14A	SM8S14A	14.0	15.6	17.2	5.0	23.2	284	1.0	150
SM8S15A	SM8S15A	15.0	16.7	18.5	5.0	24.4	270	1.0	150

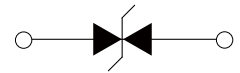
Part Number	Device Marking Code	Reverse Stand-off Voltage	Breakdown Voltage Min.@I _T	Breakdown Voltage Max.@I _T	Test Current	Maximum Clamping Voltage @I _{PP}	Peak Pulse Current	Reverse Leakage @V _{RWM}	Reverse Leakage @V _{RWM} T _J =175°C
		V _{RWM} (V)	V _{BR} (V)	V _{BR} (V)	I _T (mA)	V _C (V)	I _{PP} (A) ⁽¹⁾	I _R (μA) ⁽¹⁾	I _R (μA)
SM8S16A	SM8S16A	16.0	17.8	19.7	5.0	26.0	254	1.0	150
SM8S17A	SM8S17A	17.0	18.9	20.9	5.0	27.6	239	1.0	150
SM8S18A	SM8S18A	18.0	20.0	22.1	5.0	29.2	226	0.5	150
SM8S20A	SM8S20A	20.0	22.2	24.5	5.0	32.4	204	0.5	150
SM8S22A	SM8S22A	22.0	24.4	26.9	5.0	35.5	186	0.5	150
SM8S24A	SM8S24A	24.0	26.7	29.5	5.0	38.9	170	0.5	150
SM8S26A	SM8S26A	26.0	28.9	31.9	5.0	42.1	157	0.5	150
SM8S28A	SM8S28A	28.0	31.1	34.4	5.0	45.4	145	0.5	150
SM8S30A	SM8S30A	30.0	33.3	36.8	5.0	48.4	136	0.5	150
SM8S33A	SM8S33A	33.0	36.7	40.6	5.0	53.3	124	0.5	150
SM8S36A	SM8S36A	36.0	40.0	44.2	5.0	58.1	114	0.5	150
SM8S40A	SM8S40A	40.0	44.4	49.1	5.0	64.5	102	0.5	150
SM8S43A	SM8S43A	43.0	47.8	52.8	5.0	69.4	95	0.5	150
SM8S48A	SM8S48A	48.0	53.3	58.7	5.0	80.6	82	0.5	150

NOTES:

 1.Non-repetitive current pulse per Fig.3 and derated above T_A=25°C per Fig.1

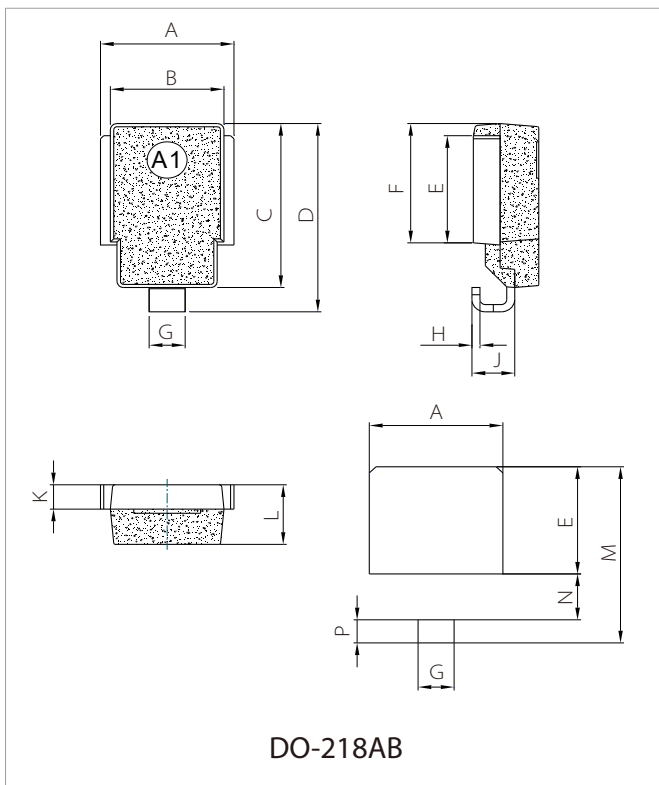
FEATURES

- | ISO10605(C=330pF, R=330Ω);±30kV Air , ±30kV(Contact)
- | HBM ≥±8kV & CDM ≥±2kV
- | Rated for load dump protection (ISO16750-2)in automotive applications
- | Meets ISO7637-2 Requirements
- | Meets MSL Level 1 per J-STD-020
- | Meet AEC-Q101 Requirements
- | Lead free in compliance with EU RoHS 2.0
- | Green molding compound as per IEC61249 standard



Bi-directional

DO-218AB PACKAGE INFORMATION



Ref.	Millimeters		Inches	
	Min.	Max.	Min.	Max.
A	9.5	10.5	0.374	0.413
B	8.3	8.7	0.327	0.342
C	13.3	13.7	0.524	0.539
D	15.0	16.0	0.592	0.628
E	8.5	9.1	0.335	0.358
F	9.5	10.1	0.374	0.398
G	2.4	3.0	0.094	0.118
H	0.5	0.7	0.020	0.028
J	2.7	3.7	0.106	0.146
K	1.9	2.1	0.075	0.083
L	4.7	5.1	0.185	0.201
M	14.2	14.8	0.559	0.583
N	3.5	4.1	0.138	0.161
P	1.6	2.2	0.063	0.087

Part Number	Device Marking Code	Reverse Stand-off Voltage	Breakdown Voltage Min.@I _T	Breakdown Voltage Max.@I _T	Test Current	Maximum Clamping Voltage @I _{PP}	Peak Pulse Current	Reverse Leakage @V _{RWM}	Reverse Leakage @V _{RWM} T _J =175°C
		V _{RWM} (V)	V _{BR} (V)	V _{BR} (V)	I _T (mA)	V _C (V)	I _{PP} (A) ⁽¹⁾	I _R (uA) ⁽¹⁾	I _R (uA)
6600W Transient Voltage Suppressor									
SM8S14CA	SM8S14CA	14.0	15.6	17.2	5.0	23.2	284	1.0	150

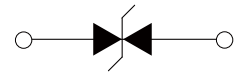
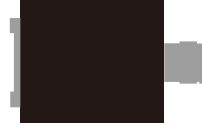
Part Number	Device Marking Code	Reverse Stand-off Voltage	Breakdown Voltage Min.@I _T	Breakdown Voltage Max.@I _T	Test Current	Maximum Clamping Voltage @I _{PP}	Peak Pulse Current	Reverse Leakage @V _{RWM}	Reverse Leakage @V _{RWM} T _J =175°C
		V _{RWM} (V)	V _{BR} (V)	V _{BR} (V)	I _T (mA)	V _C (V)	I _{PP} (A) ⁽¹⁾	I _R (μA) ⁽¹⁾	I _R (μA)
SM8S15CA	SM8S15CA	15.0	16.7	18.5	5.0	24.4	270	1.0	150
SM8S16CA	SM8S16CA	16.0	17.8	19.7	5.0	26.0	254	1.0	150
SM8S17CA	SM8S17CA	17.0	18.9	20.9	5.0	27.6	239	1.0	150
SM8S18CA	SM8S18CA	18.0	20.0	22.1	5.0	29.2	226	0.5	150
SM8S20CA	SM8S20CA	20.0	22.2	24.5	5.0	32.4	204	0.5	150
SM8S22CA	SM8S22CA	22.0	24.4	26.9	5.0	35.5	186	0.5	150
SM8S24CA	SM8S24CA	24.0	26.7	29.5	5.0	38.9	170	0.5	150
SM8S26CA	SM8S26CA	26.0	28.9	31.9	5.0	42.1	157	0.5	150
SM8S28CA	SM8S28CA	28.0	31.1	34.4	5.0	45.4	145	0.5	150
SM8S30CA	SM8S30CA	30.0	33.3	36.8	5.0	48.4	136	0.5	150
SM8S33CA	SM8S33CA	33.0	36.7	40.6	5.0	53.3	124	0.5	150
SM8S36CA	SM8S36CA	36.0	40.0	44.2	5.0	58.1	114	0.5	150
SM8S40CA	SM8S40CA	40.0	44.4	49.1	5.0	64.5	102	0.5	150
SM8S43CA	SM8S43CA	43.0	47.8	52.8	5.0	69.4	95	0.5	150
SM8S48CA	SM8S48CA	48.0	53.3	58.7	5.0	80.6	82	0.5	150

NOTES:

1.Non-repetitive current pulse per Fig.3 and derated above TA=25°C per Fig.1

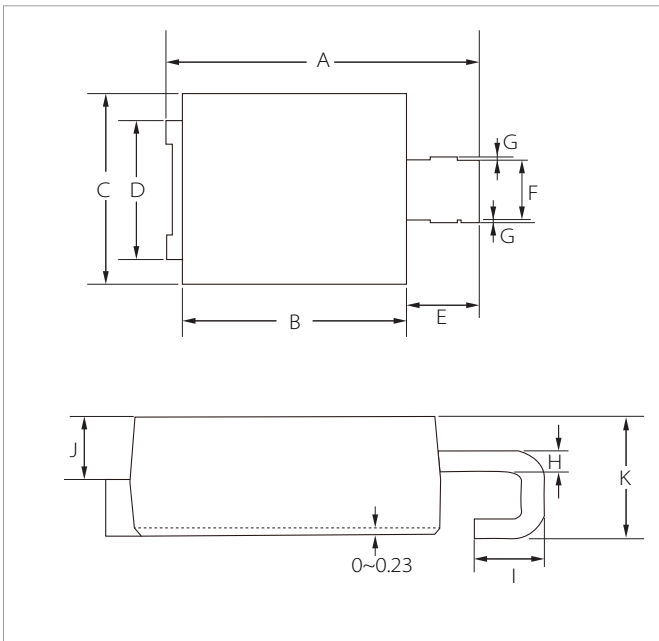
FEATURES

- | ISO10605(C=330pF, R=330Ω);±30kV Air , ±30kV(Contact)
- | HBM ≥±8kV & CDM ≥±2kV
- | Rated for load dump protection (ISO16750-2)in automotive applications
- | Meets ISO7637-2 Requirements
- | Meets MSL Level 1 per J-STD-020
- | Meet AEC-Q101 Requirements
- | Lead free in compliance with EU RoHS 2.0
- | Green molding compound as per IEC61249 standard



Bi-directional

DO-218MINI PACKAGE INFORMATION



Ref.	Millimeters		Inches	
	Min.	Max.	Min.	Max.
A	11.50	12.50	0.453	0.492
B	8.20	8.80	0.323	0.346
C	7.70	8.70	0.303	0.342
D	6.00		0.236	
E	2.80		0.110	
F	2.60		0.102	
G	-	0.20	-	0.008
H	0.66		0.026	
I	1.90		0.075	
J	1.80	2.30	0.071	0.090
K	3.20	4.00	0.126	0.157

Part Number	Device Marking Code	Reverse Stand-off Voltage	Breakdown Voltage Min.@I _T	Breakdown Voltage Max.@I _T	Test Current	Maximum Clamping Voltage @I _{PP}	Peak Pulse Current	Reverse Leakage @V _{RWM}	Reverse Leakage @V _{RWM} T _J =175°C
		V _{RWM} (V)	V _{BR} (V)	V _{BR} (V)	I _T (mA)	V _C (V)	I _{PP} (A) ⁽¹⁾	I _R (uA) ⁽¹⁾	I _R (uA)
SMD5S14A	SMD5S14A	14.0	15.6	17.2	5.0	23.2	155	1.0	150
SMD5S15A	SMD5S15A	15.0	16.7	18.5	5.0	24.4	148	1.0	150
SMD5S16A	SMD5S16A	16.0	17.8	19.7	5.0	26.0	138	1.0	150
SMD5S17A	SMD5S17A	17.0	18.9	20.9	5.0	27.6	130	1.0	150
SMD5S18A	SMD5S18A	18.0	20.0	22.1	5.0	29.2	123	0.5	150

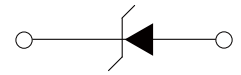
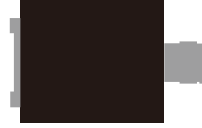
Part Number	Device Marking Code	Reverse Stand-off Voltage	Breakdown Voltage Min.@I _T	Breakdown Voltage Max.@I _T	Test Current	Maximum Clamping Voltage @I _{PP}	Peak Pulse Current	Reverse Leakage @V _{RWM}	Reverse Leakage @V _{RWM} T _J =175°C
		V _{RWM} (V)	V _{BR} (V)	V _{BR} (V)	I _T (mA)	V _C (V)	I _{PP} (A) ⁽¹⁾	I _R (μA) ⁽¹⁾	I _R (μA)
SMD5S20A	SMD5S20A	20.0	22.2	24.5	5.0	32.4	111	0.5	150
SMD5S22A	SMD5S22A	22.0	24.4	26.9	5.0	35.5	101	0.5	150
SMD5S24A	SMD5S24A	24.0	26.7	29.5	5.0	38.9	93	0.5	150
SMD5S26A	SMD5S26A	26.0	28.9	31.9	5.0	42.1	86	0.5	150
SMD5S28A	SMD5S28A	28.0	31.1	34.4	5.0	45.4	79	0.5	150
SMD5S30A	SMD5S30A	30.0	33.3	36.8	5.0	48.4	74	0.5	150
SMD5S33A	SMD5S33A	33.0	36.7	40.6	5.0	53.3	68	0.5	150
SMD5S36A	SMD5S36A	36.0	40.0	44.2	5.0	58.1	62	0.5	150
SMD5S40A	SMD5S40A	40.0	44.4	49.1	5.0	64.5	56	0.5	150
SMD5S43A	SMD5S43A	43.0	47.8	52.8	5.0	69.4	52	0.5	150
SMD5S48A	SMD5S48A	48.0	53.3	58.7	5.0	80.6	45	0.5	150

NOTES:

1.Non-repetitive current pulse per Fig.3 and derated above TA=25°C per Fig.1

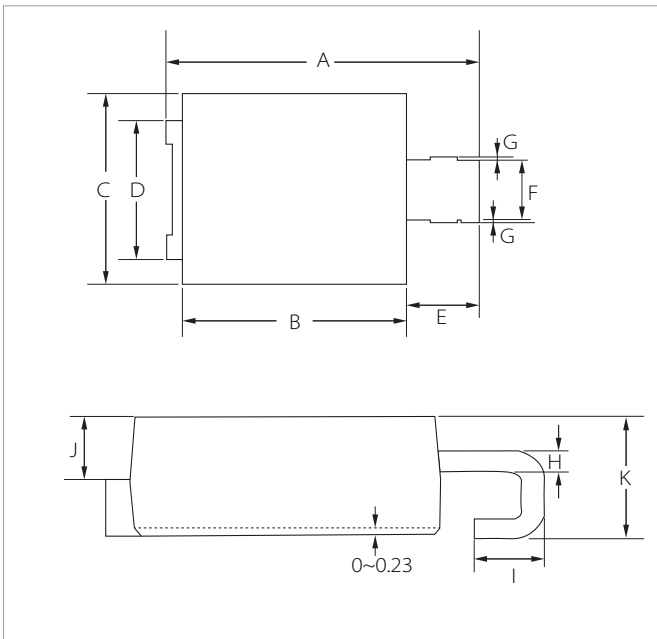
FEATURES

- | ISO10605(C=330pF, R=330Ω);±30kV Air , ±30kV(Contact)
- | HBM ≥±8kV & CDM ≥±2kV
- | Rated for load dump protection (ISO16750-2)in automotive applications
- | Meets ISO7637-2 Requirements
- | Meets MSL Level 1 per J-STD-020
- | Meet AEC-Q101 Requirements
- | Lead free in compliance with EU RoHS 2.0
- | Green molding compound as per IEC61249 standard



Schematic Symbol

DO-218MINI PACKAGE INFORMATION



Ref.	Millimeters		Inches	
	Min.	Max.	Min.	Max.
A	11.50	12.50	0.453	0.492
B	8.20	8.80	0.323	0.346
C	7.70	8.70	0.303	0.342
D	6.00		0.236	
E	2.80		0.110	
F	2.60		0.102	
G	-	0.20	-	0.008
H	0.66		0.026	
I	1.90		0.075	
J	1.80	2.30	0.071	0.090
K	3.20	4.00	0.126	0.157

Part Number	Device Marking Code	Reverse Stand-off Voltage	Breakdown Voltage Min.@I _T	Breakdown Voltage Max.@I _T	Test Current	Maximum Clamping Voltage @I _{PP}	Peak Pulse Current	Reverse Leakage @V _{RWM}	Reverse Leakage @V _{RWM} T _J =175°C
		V _{RWM} (V)	V _{BR} (V)	V _{BR} (V)	I _T (mA)	V _C (V)	I _{PP} (A) ⁽¹⁾	I _R (uA) ⁽¹⁾	I _R (uA)
SMD6S14A	SMD6S14A	14.0	15.6	17.2	5.0	23.2	198	1.0	150
SMD6S15A	SMD6S15A	15.0	16.7	18.5	5.0	24.4	189	1.0	150
SMD6S16A	SMD6S16A	16.0	17.8	19.7	5.0	26.0	177	1.0	150
SMD6S17A	SMD6S17A	17.0	18.9	20.9	5.0	27.6	167	1.0	150
SMD6S18A	SMD6S18A	18.0	20.0	22.1	5.0	29.2	158	0.5	150

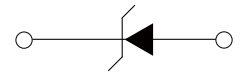
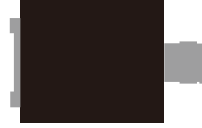
Part Number	Device Marking Code	Reverse Stand-off Voltage	Breakdown Voltage Min.@I _T	Breakdown Voltage Max.@I _T	Test Current	Maximum Clamping Voltage @I _{PP}	Peak Pulse Current	Reverse Leakage @V _{RWM}	Reverse Leakage @V _{RWM} T _J =175°C
		V _{RWM} (V)	V _{BR} (V)	V _{BR} (V)	I _T (mA)	V _C (V)	I _{PP} (A) ⁽¹⁾	I _R (μA) ⁽¹⁾	I _R (μA)
SMD6S20A	SMD6S20A	20.0	22.2	24.5	5.0	32.4	142	0.5	150
SMD6S22A	SMD6S22A	22.0	24.4	26.9	5.0	35.5	130	0.5	150
SMD6S24A	SMD6S24A	24.0	26.7	29.5	5.0	38.9	118	0.5	150
SMD6S26A	SMD6S26A	26.0	28.9	31.9	5.0	42.1	109	0.5	150
SMD6S28A	SMD6S28A	28.0	31.1	34.4	5.0	45.4	101	0.5	150
SMD6S30A	SMD6S30A	30.0	33.3	36.8	5.0	48.4	95	0.5	150
SMD6S33A	SMD6S33A	33.0	36.7	40.6	5.0	53.3	86	0.5	150
SMD6S36A	SMD6S36A	36.0	40.0	44.2	5.0	58.1	79	0.5	150
SMD6S40A	SMD6S40A	40.0	44.4	49.1	5.0	64.5	71	0.5	150
SMD6S43A	SMD6S43A	43.0	47.8	52.8	5.0	69.4	66	0.5	150
SMD6S48A	SMD6S48A	48.0	53.3	58.7	5.0	80.6	57	0.5	150

NOTES:

1.Non-repetitive current pulse per Fig.3 and derated above TA=25°C per Fig.1

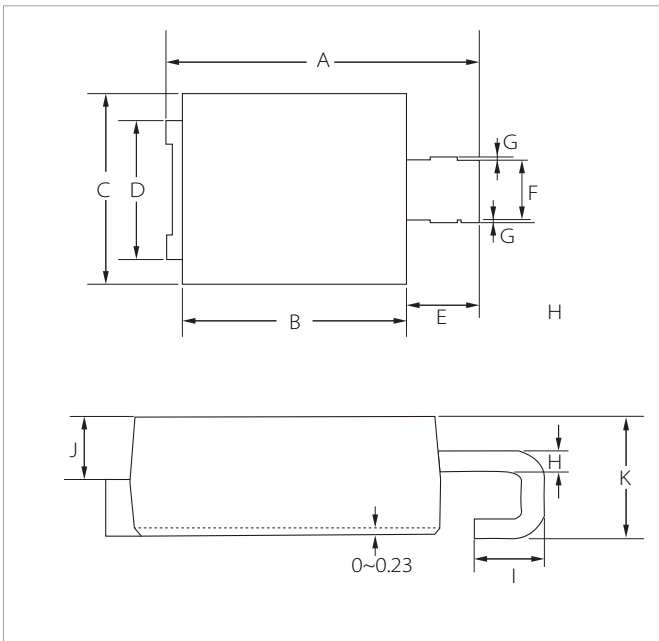
FEATURES

- | ISO10605(C=330pF, R=330Ω);±30kV Air , ±30kV(Contact)
- | HBM ≥±8kV & CDM ≥±2kV
- | Rated for load dump protection (ISO16750-2)in automotive applications
- | Meets ISO7637-2 Requirements
- | Meets MSL Level 1 per J-STD-020
- | Meet AEC-Q101 Requirements
- | Lead free in compliance with EU RoHS 2.0
- | Green molding compound as per IEC61249 standard



Schematic Symbol

DO-218MINI PACKAGE INFORMATION



Ref.	Millimeters		Inches	
	Min.	Max.	Min.	Max.
A	11.50	12.50	0.453	0.492
B	8.20	8.80	0.323	0.346
C	7.70	8.70	0.303	0.342
D	6.00		0.236	
E	2.80		0.110	
F	2.60		0.102	
G	-	0.20	-	0.008
H	0.66		0.026	
I	1.90		0.075	
J	1.80	2.30	0.071	0.090
K	3.20	4.00	0.126	0.157

Part Number	Device Marking Code	Reverse Stand-off Voltage	Breakdown Voltage Min.@I _T	Breakdown Voltage Max.@I _T	Test Current	Maximum Clamping Voltage @I _{PP}	Peak Pulse Current	Reverse Leakage @V _{RWM}	Reverse Leakage @V _{RWM} T _J =175°C
		V _{RWM} (V)	V _{BR} (V)	V _{BR} (V)	I _T (mA)	V _C (V)	I _{PP} (A) ⁽¹⁾	I _R (μA) ⁽¹⁾	I _R (μA)
SMD8S14A	SMD8S14A	14.0	15.6	17.2	5.0	23.2	284	1.0	150
SMD8S15A	SMD8S15A	15.0	16.7	18.5	5.0	24.4	270	1.0	150
SMD8S16A	SMD8S16A	16.0	17.8	19.7	5.0	26.0	254	1.0	150
SMD8S17A	SMD8S17A	17.0	18.9	20.9	5.0	27.6	239	1.0	150
SMD8S18A	SMD8S18A	18.0	20.0	22.1	5.0	29.2	226	0.5	150

Part Number	Device Marking Code	Reverse Stand-off Voltage	Breakdown Voltage Min.@I _T	Breakdown Voltage Max.@I _T	Test Current	Maximum Clamping Voltage @I _{PP}	Peak Pulse Current	Reverse Leakage @V _{RWM}	Reverse Leakage @V _{RWM} T _J =175°C
		V _{RWM} (V)	V _{BR} (V)	V _{BR} (V)	I _T (mA)	V _C (V)	I _{PP} (A) ⁽¹⁾	I _R (μA) ⁽¹⁾	I _R (μA)
SMD8S20A	SMD8S20A	20.0	22.2	24.5	5.0	32.4	204	0.5	150
SMD8S22A	SMD8S22A	22.0	24.4	26.9	5.0	35.5	186	0.5	150
SMD8S24A	SMD8S24A	24.0	26.7	29.5	5.0	38.9	170	0.5	150
SMD8S26A	SMD8S26A	26.0	28.9	31.9	5.0	42.1	157	0.5	150
SMD8S28A	SMD8S28A	28.0	31.1	34.4	5.0	45.4	145	0.5	150
SMD8S30A	SMD8S30A	30.0	33.3	36.8	5.0	48.4	136	0.5	150
SMD8S33A	SMD8S33A	33.0	36.7	40.6	5.0	53.3	124	0.5	150
SMD8S36A	SMD8S36A	36.0	40.0	44.2	5.0	58.1	114	0.5	150
SMD8S40A	SMD8S40A	40.0	44.4	49.1	5.0	64.5	102	0.5	150
SMD8S43A	SMD8S43A	43.0	47.8	52.8	5.0	69.4	95	0.5	150
SMD8S48A	SMD8S48A	48.0	53.3	58.7	5.0	80.6	82	0.5	150

NOTES:

1.Non-repetitive current pulse per Fig.3 and derated above TA=25°C per Fig.1



www.semiwell.com.cn